

FUEL LEVEL SENSOR INSPECTION (AFTER '99)

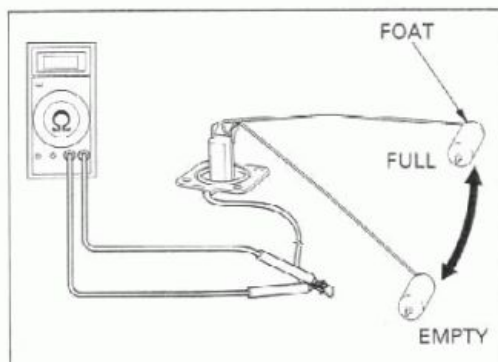
Remove the fuel level sensor (page 19-27).

Connect the ohmmeter to the fuel level sensor 2P black connector (Gray/black and Green/black terminals).

Inspect the resistance of the float at the top and bottom positions.

Unit: Ω (20°C/68°F)

FLOAT POSITION	FULL	EMPTY
Resistance	4-10	81-91



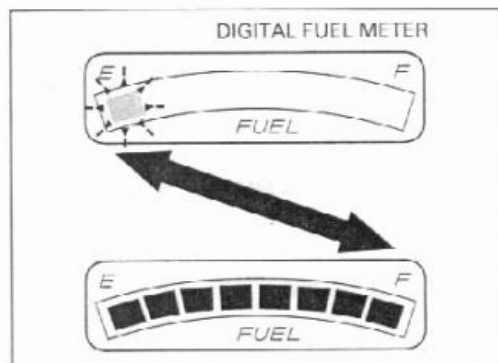
DIGITAL FUEL METER INSPECTION

Connect the fuel level sensor 2P black connector to the wire harness.

Turn the ignition switch to "ON" and move the float from the empty to full to check the digital fuel meter indication.

If the digital fuel meter does not indicate properly, check for an open or short circuit in wire harness.

If the wire harness is good, replace the digital fuel meter with a new one (page 19-15).

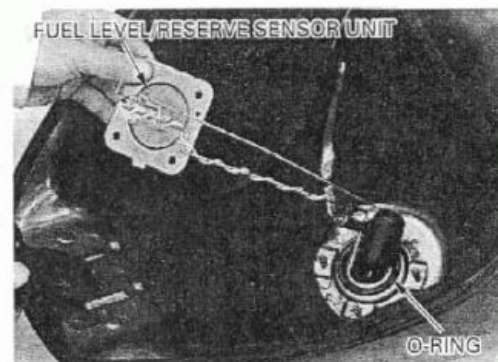


INSTALLATION

Check the O-ring is in good condition.
Install the fuel unit into the fuel tank.

CAUTION:

Be careful not to damage the float arm.



Install and tighten the nuts securely.
Clamp the wire to the clamp.

Install the fuel tank (page 5-63).

