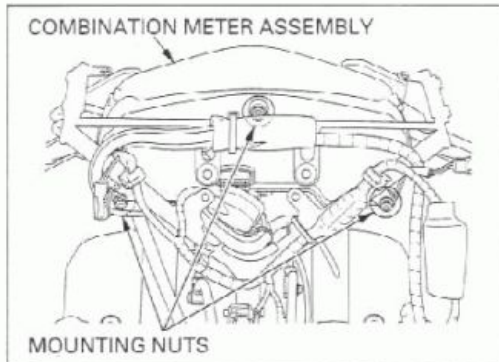
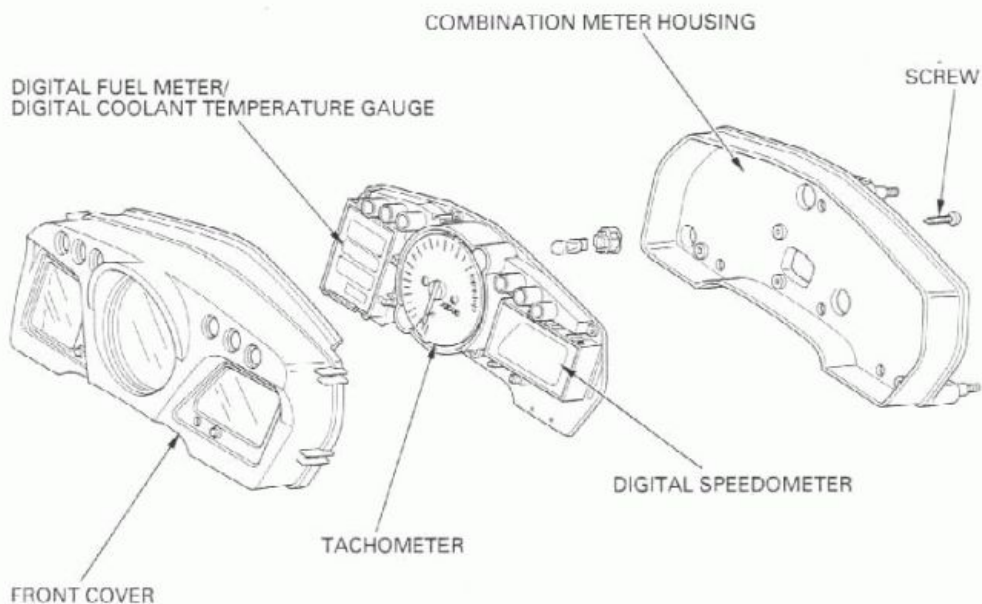


Remove the three mounting nuts and combination meter assembly.



DISASSEMBLY/ASSEMBLY

Assemble the combination meter in the reverse order of removal.



INSTALLATION

Install the combination meter in the reverse order of removal.

NOTE:

Route the combination meter wire properly (page 1-24).

