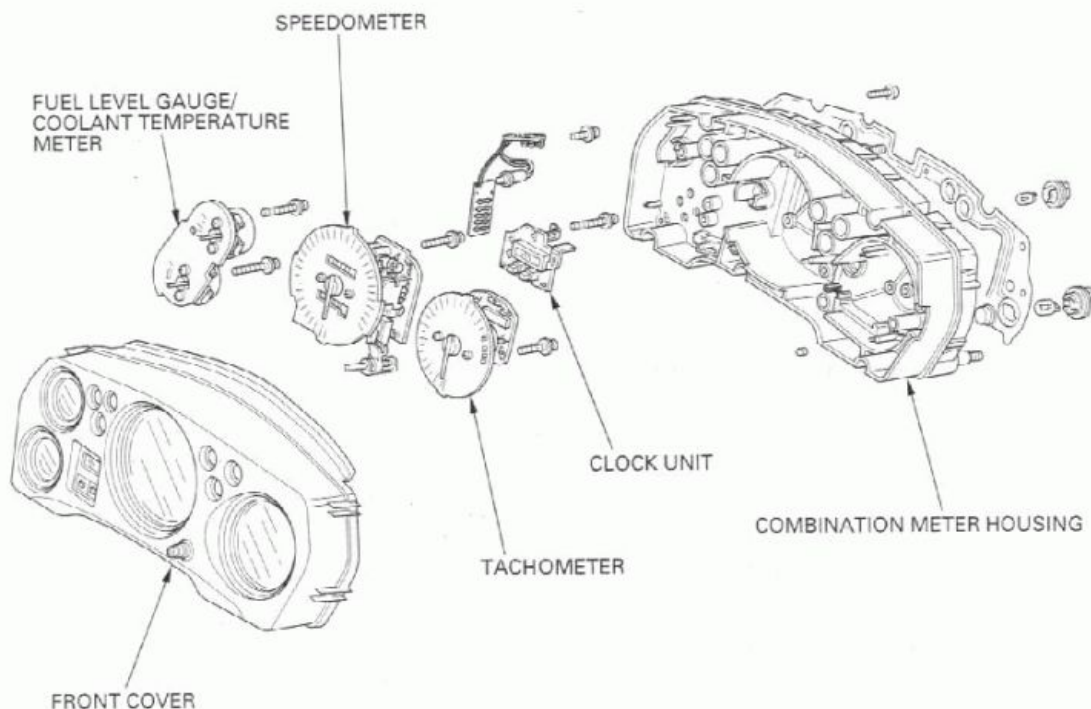


ASSEMBLY

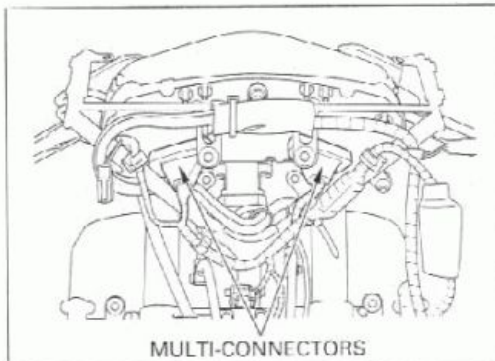
Assemble the combination meter in the reverse order of removal.

INSTALLATION

Install the combination meter in the reverse order of removal.

NOTE:

Route the combination meter wire properly (page 1-24).

**COMBINATION METER (AFTER '99:)****REMOVAL**

Remove the upper cowl (page 2-8).

Disconnect the combination meter 16P black connector.

