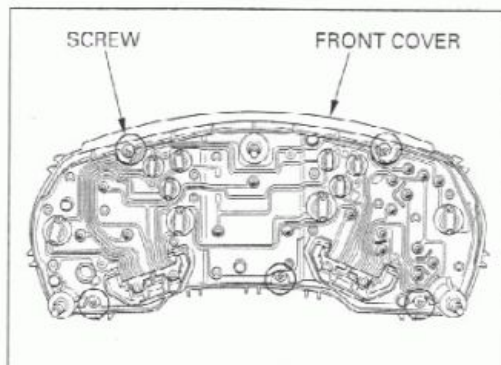
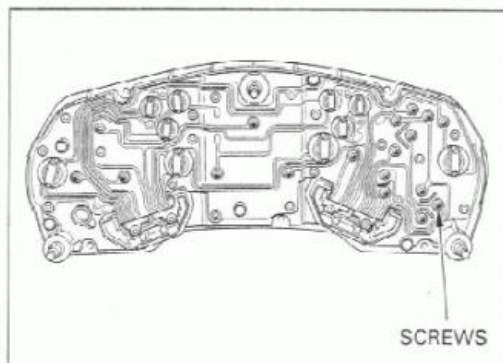


**DISASSEMBLY**

Remove the screws and front cover.



Remove the meter mounting screws.  
Remove the harness hole plug.



Remove the speedometer, tachometer, fuel level gauge/coolant temperature meter and clock unit.

