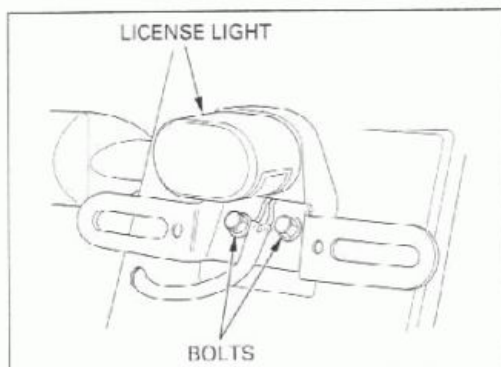


LICENSE LIGHT

BULB REPLACEMENT

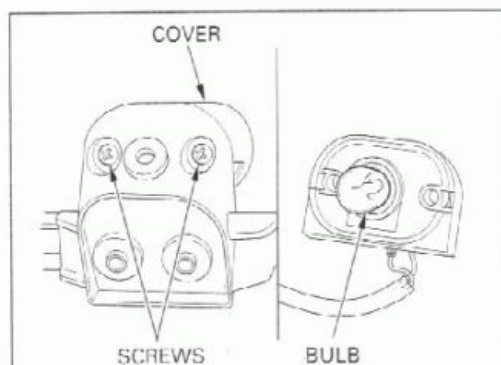
Remove the license light bracket bolts and the license light assembly.

Remove the screws, license light cover and lens.



While pushing in, turn the bulb counterclockwise to remove it and replace with a new one.

Install the turn signal light lens in the reverse order of removal.

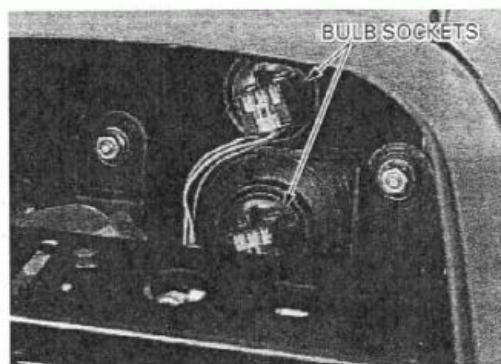


TAIL/BRAKE LIGHT

BULB REPLACEMENT

Remove the seat (page 2-2).

Turn the tail/brake light socket counterclockwise, then remove the bulb sockets.



While pushing in, turn the bulbs counterclockwise to remove it and replace with new ones.

Install the bulb sockets in the reverse order of removal.

