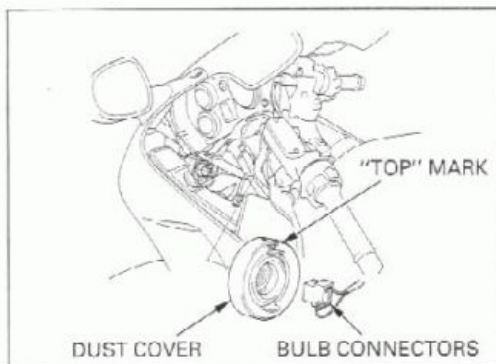


Install the dust cover tightly against the headlight with the "TOP" mark facing up.

Connect the headlight sockets.

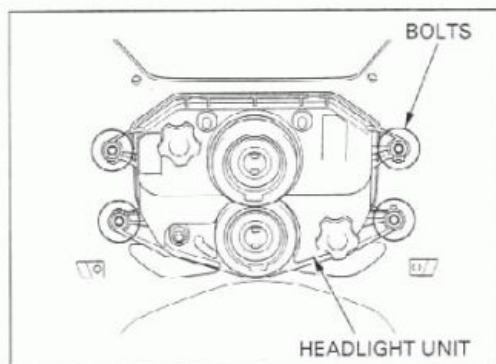


## REMOVAL/INSTALLATION

Remove the upper cowl (page 2-8).

Remove the four bolts and headlight unit.

Installation is in the reverse order of removal.



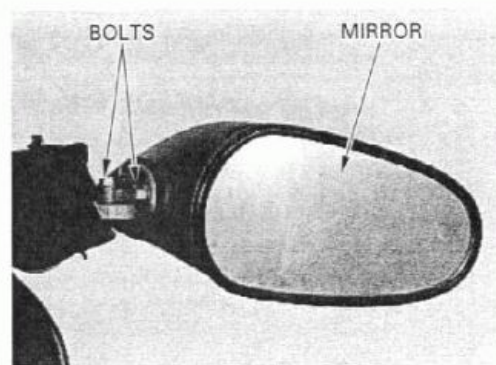
## TURN SIGNAL

### BULB REPLACEMENT

#### Front

Remove the rearview mirror boot.

Remove the bolts and mirror.



Turn the bulb socket counterclockwise and remove it.

