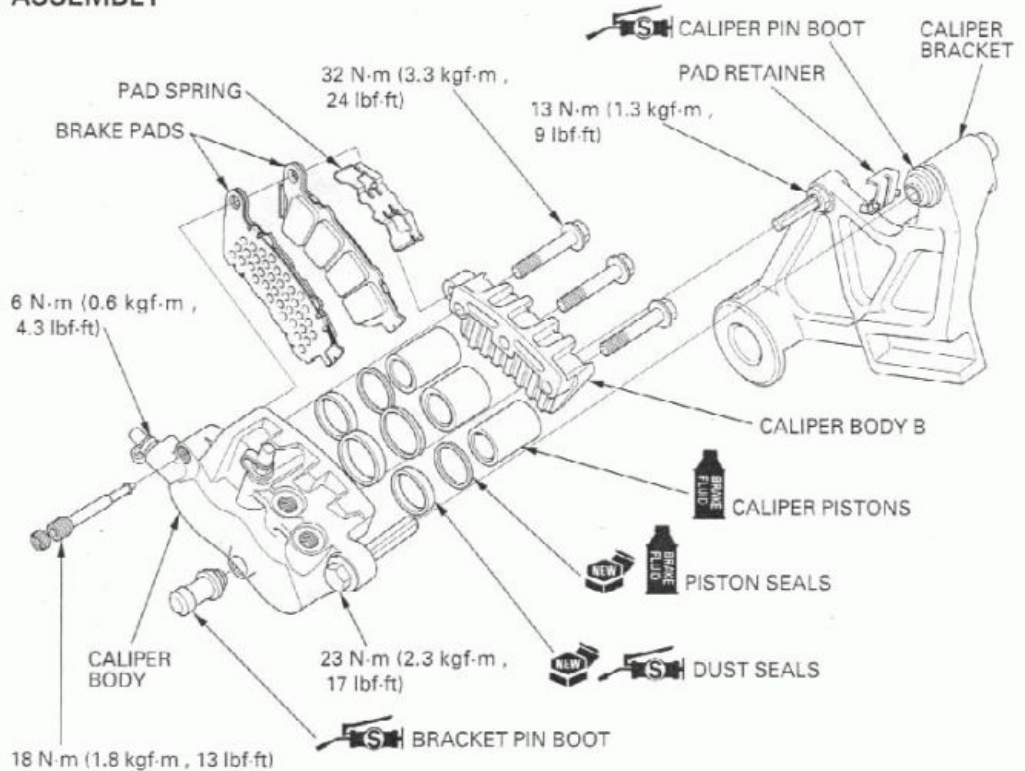


ASSEMBLY

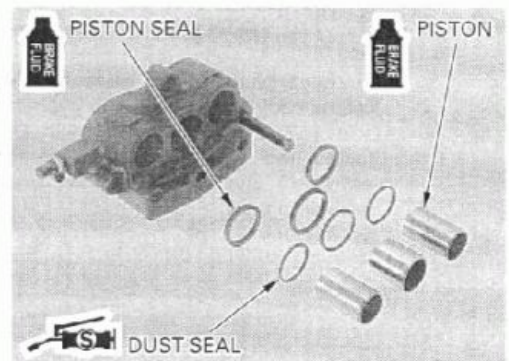


Coat the new piston seals with clean brake fluid.
Coat the new dust seals with silicone grease.

Install the pistons and dust seals into the groove of the caliper body.

Install the each piston seal, dust seal and caliper piston in their proper locations.

Coat the caliper pistons with clean brake fluid and install them into the caliper cylinder with their opening ends toward the pad.



Install the caliper body B and tighten the new bolts to the specified torque.

TORQUE: 32 N·m (3.3 kgf·m, 24 lbf·ft)

