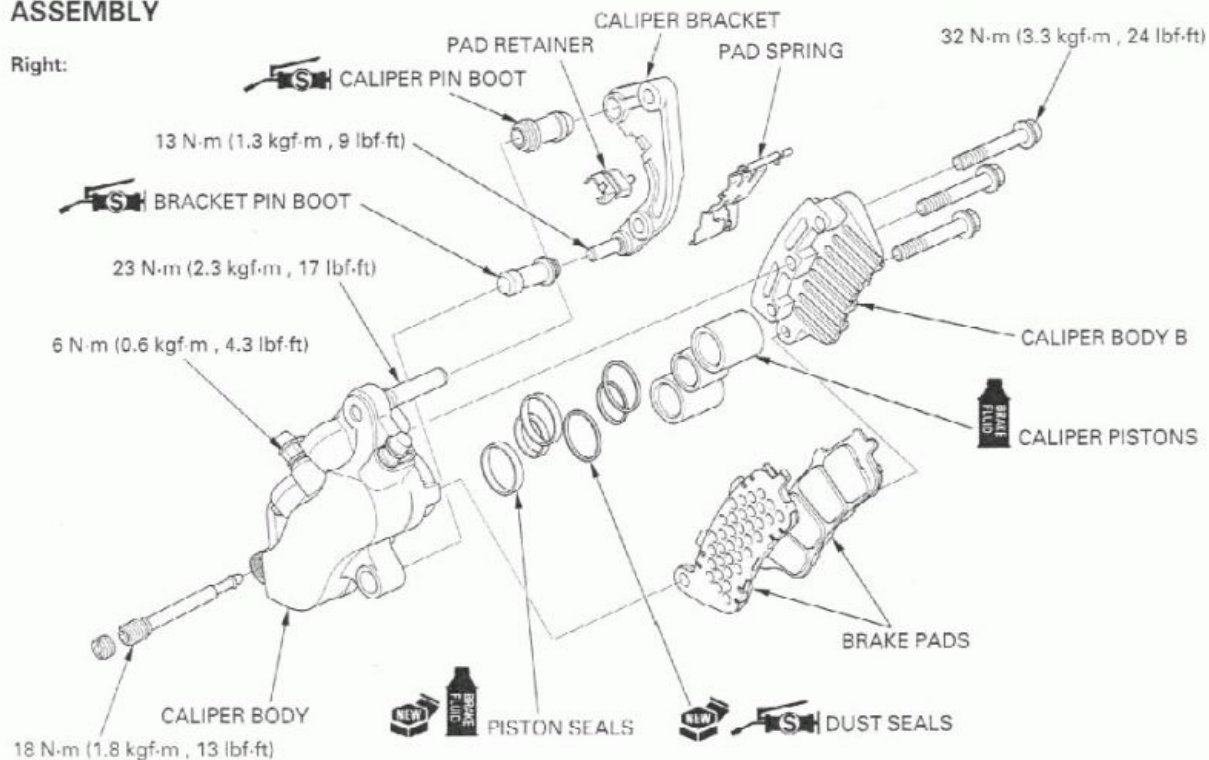


# HYDRAULIC BRAKE

## ASSEMBLY

Right:



Left:

