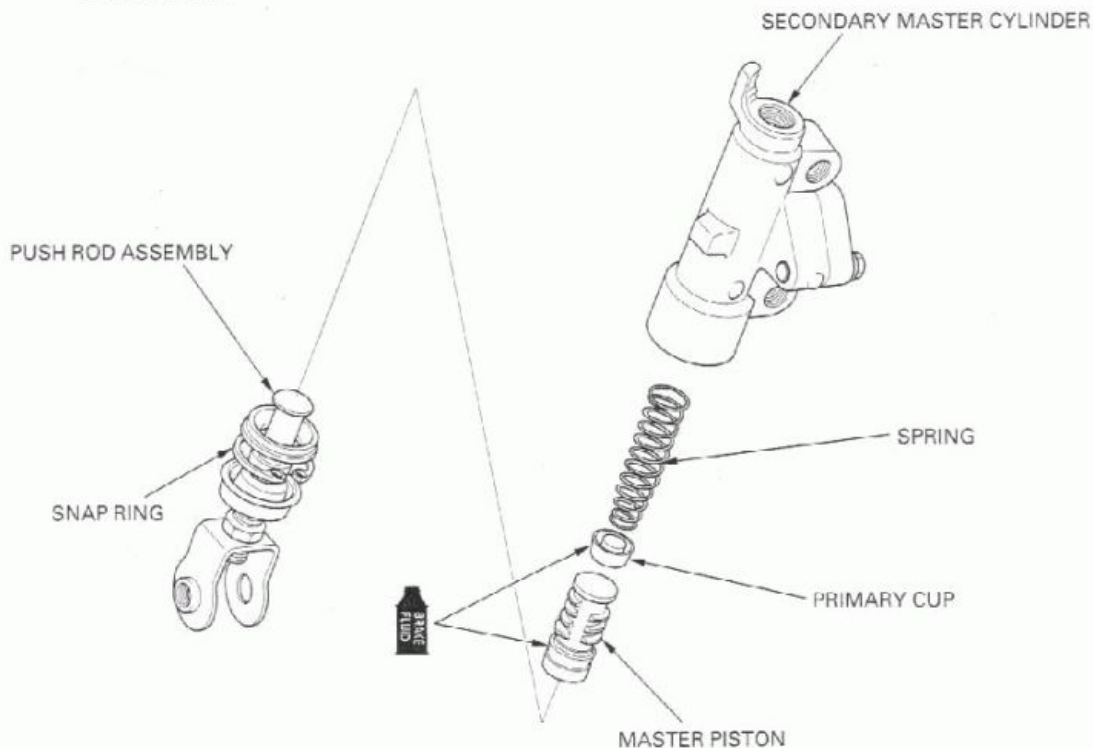


ASSEMBLY

**CAUTION:**

Keep the piston, cups, spring, snap ring and boot as a set; do not substitute individual parts.

Coat all parts with clean brake fluid before assembly.

Dip the piston in brake fluid.

Install the spring to the piston.

Install the piston assembly.

Apply silicone grease to the piston contact area of the push rod.

CAUTION:

When installing the cups, do not allow the lips to turn inside out.

Install the push rod into the master cylinder.
Install the snap ring using the special tool.

CAUTION:

Be certain the snap ring is firmly seated in the groove.

TOOL:

Snap ring pliers

07914-SA50001 or
07914-3230001

Install the boot.

