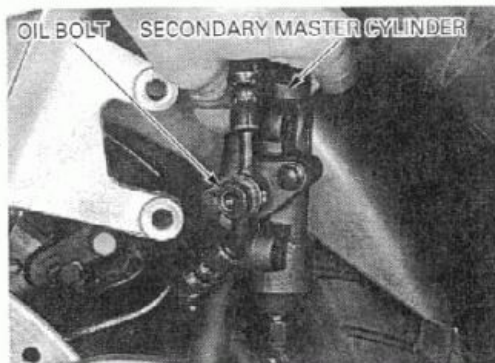


Remove the oil bolt, sealing washers and secondary master cylinder.



Remove the boot.

Remove the snap ring from the master cylinder body using the special tool as shown.

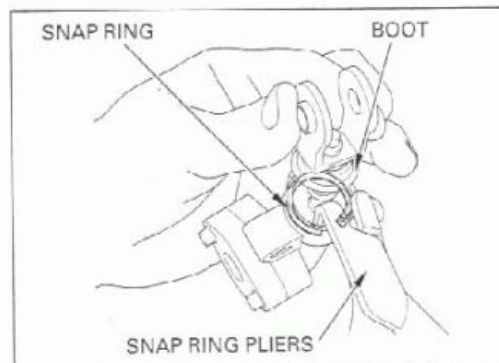
**TOOL:**

Snap ring pliers

07914-SA50001 or  
07914-3230001

Remove the push rod, master piston and spring.

Clean the inside of the cylinder with brake fluid.



**▲WARNING**

*Do not disassemble the secondary master cylinder push rod or the correct brake performance is not obtained.*

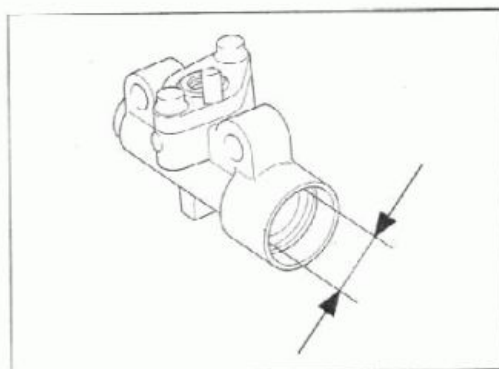
**INSPECTION**

Check the piston boot, primary cup and secondary cup for fatigue or damage.

Check the master cylinder and piston for abnormal scratches.

Measure the master cylinder I.D.

**SERVICE LIMIT:** 14.055 mm (0.5533 in)



Measure the master cylinder piston O.D.

**SERVICE LIMIT:** 13.945 mm (0.5490 in)

