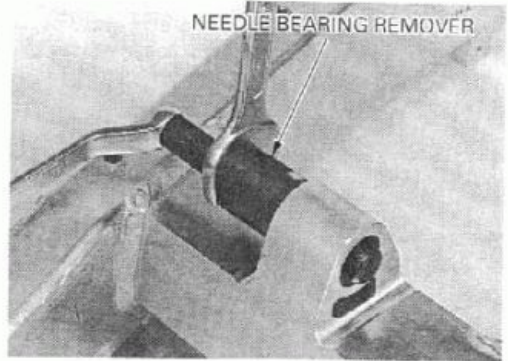


SHOCK LINK PIVOT BEARING REPLACEMENT

Remove the needle bearing out of the shock link using special tool.

TOOL:

Needle bearing remover 07LMC-KV30100



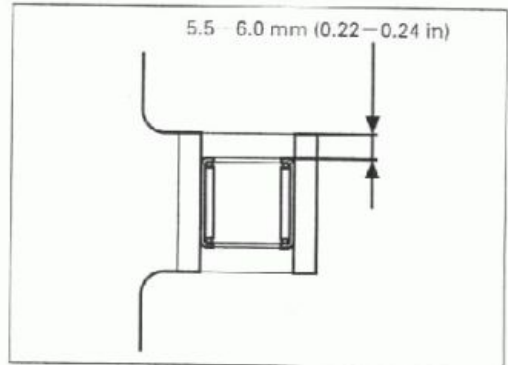
Press the needle bearing into the shock link with the marked side facing out.

Pack a new needle bearing with multi-purpose grease.

Install a new needle bearing into the shock link so that the needle bearing surface is lower 5.5–6.0 mm (0.22–0.24 in) from the end of the shock link surface.

TOOL:

Needle bearing remover 07LMC-KV30100



ASSEMBLY

