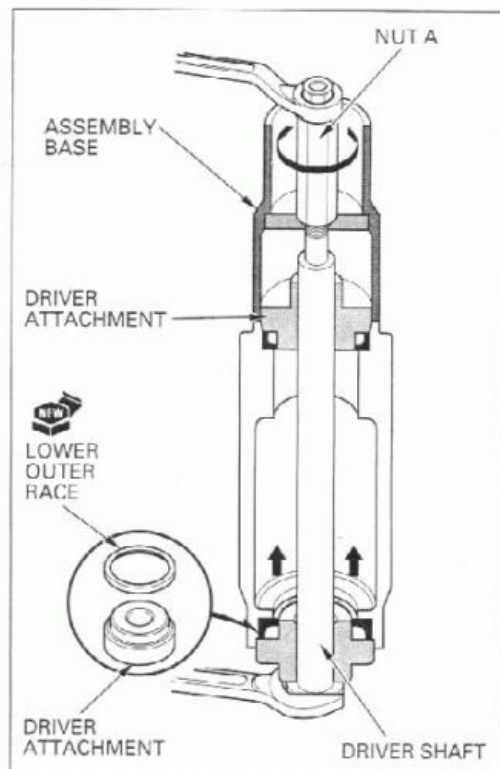


Install a new lower outer race and ball race remover as shown.

Holding the driver shaft with a wrench, turn nut A gradually until the groove in driver attachment B aligns with the upper end of the steering head. This will allow you to install the lower outer race.



U.S.A. only:

Replace the steering head bearing outer races using the special tools listed below.

TOOLS:

Main bearing driver attachment	07946-ME90200
Fork seal driver weight	07947-KA50100
Oil seal driver	07965-MA60000
Installer shaft	07VMF-KZ30200
Installer attachment A	07VMF-MAT0100
Installer attachment B	07VMF-MAT0200
Remover attachment A	07VMF-MAT0300
Remover attachment B	07VMF-MAT0400

Install the special tools into the steering head pipe as shown.

Align remover attachment A with the groove in the steering head.

While holding the installer shaft with the wrench, turn the upper nut gradually to remove the upper bearing outer race.

