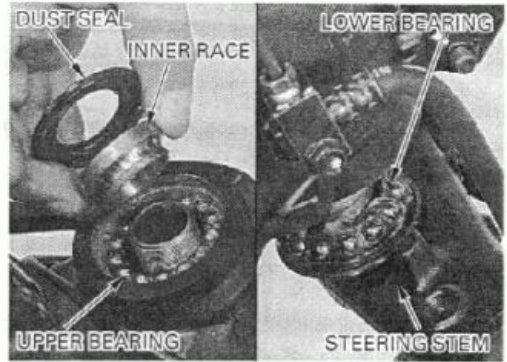


Remove the following:

- Dust seal
- Upper bearing inner race
- Upper bearing
- Steering stem
- Lower bearing



BEARING REPLACEMENT

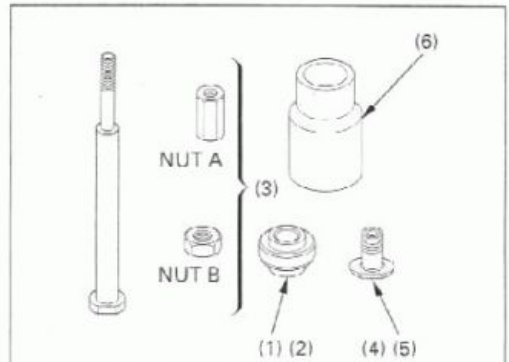
Always replace the bearings and races as a set.

Except U.S.A.:

Replace the races using the Ball Race Remover Set as described in the following procedure.

TOOLS:

- | | |
|-----------------------------|---------------|
| - Ball race remover set | 07946-KM90001 |
| - Driver attachment, A (1) | 07946-KM90100 |
| - Driver attachment, B (2) | 07946-KM90200 |
| - Driver shaft assembly (3) | 07946-KM90300 |
| - Bearing remover, A (4) | 07946-KM90401 |
| - Bearing remover, B (5) | 07946-KM90500 |
| Assembly base (6) | 07946-KM90600 |



Install the ball race remover into the head pipe as shown.

Align bearing remover A with the groove in the steering head.

Lightly tighten nut B with a wrench.

Holding the driver shaft with a wrench, turn nut A gradually to remove the upper outer race.

Note the installation direction of the assembly base.

