

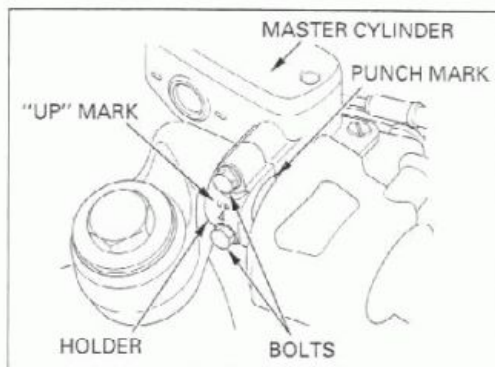
Install the master cylinder by aligning the end of the master cylinder with the punch mark on the handlebar.

Install the master cylinder holder with the "UP" mark facing up.

Tighten the upper bolt first, the lower bolt.

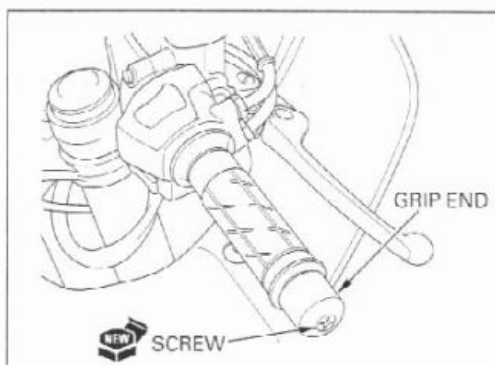
**TORQUE:** 12 N·m (1.2 kgf·m, 9 lbf·ft)

Connect the brake switch wires.



Install the grip end and tighten the new mounting screw to the specified torque.

**TORQUE:** 10 N·m (1.0 kgf·m, 7 lbf·ft)



## FRONT WHEEL

### REMOVAL

#### ▲WARNING

*A contaminated brake disc or pad reduces stopping power. Discard contaminated pads and clean a contaminated disc with a high quality brake degreasing agent.*

Support the motorcycle securely using a safety stand or a hoist.

Remove the bolts and front fender.

Remove the mounting bolts and right brake caliper.

#### CAUTION:

*Support the brake caliper with a piece of wire so that it does not hang from the brake hose. Do not twist the brake hose.*

#### NOTE:

Do not operate the brake lever or pedal after the brake caliper is removed.

