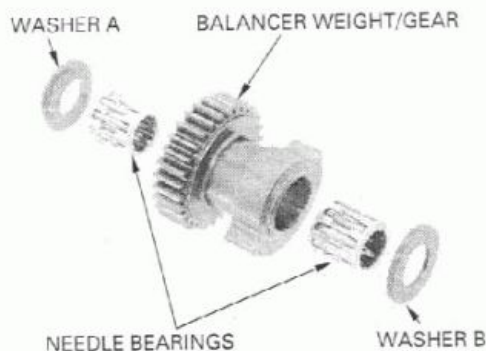
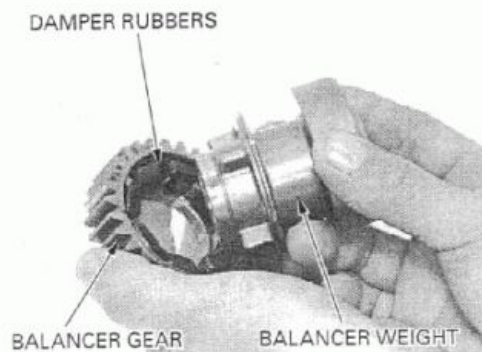


DISASSEMBLY

Remove the side washer A, B and needle bearings from the balancer weight.



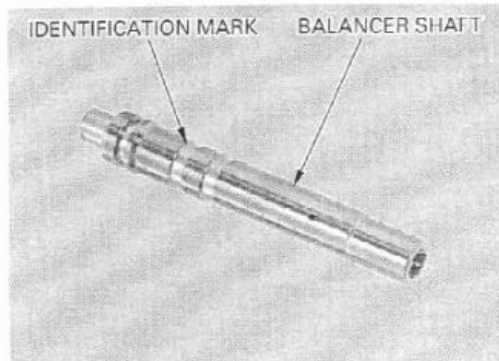
Remove the balancer gear and damper rubbers from the balancer weight.

**INSPECTION****NOTE:**

Replace the balancer weight, shaft and needle bearings as an assembly.

Check the needle bearing sliding surfaces of the balancer weight for wear, damage or excessive scratches.

Check the needle bearing sliding surfaces of the balancer shaft for wear, damage or excessive scratches.

**BALANCER BEARING SELECTION****NOTE:**

The balancer weight, shaft and needle bearings are select fitted (selection table; see next page).

The balancer shaft has a I.D. code number or color.

The balancer weight has two I.D. code markings as shown.

The markings are identified each I.D. of the balancer weight as shown.

