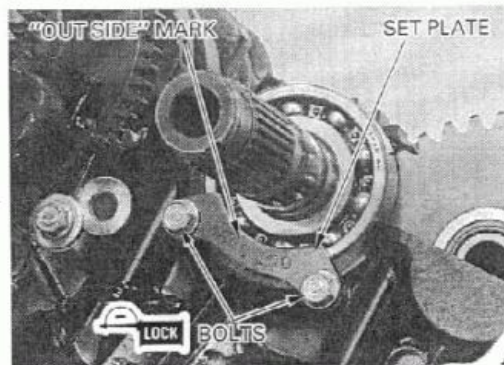


Apply a locking agent to the mainshaft bearing set plate bolt threads.
Install the mainshaft bearing set plate with its "OUT SIDE" mark facing out and tighten the bolts to the specified torque.

TORQUE: 12 N·m (1.2 kgf·m , 9 lbf·ft)

Assemble the crankcase (page 11-12).

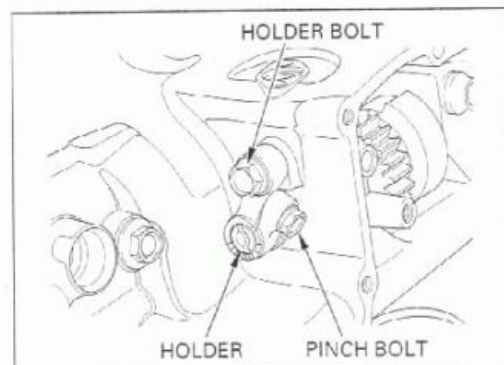


BALANCER

FRONT BALANCER REMOVAL

Remove the oil pan (page 4-4).

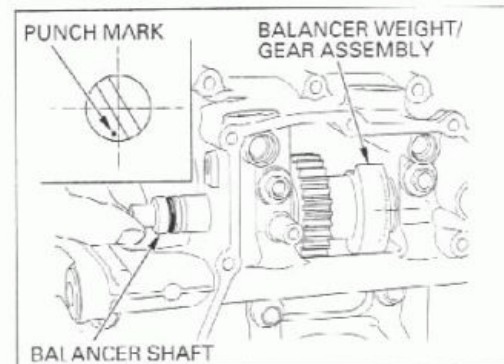
Remove the front balancer shaft holder bolt.
Loosen the pinch bolt and remove the holder.



Rotate the front balancer shaft and place the punch mark on the shaft facing down.

Pull the front balancer shaft out and remove the balancer weight/gear assembly.

The balancer shaft will only come out from one particular position. Rotate it until it comes out easily; do not force it out.



REAR BALANCER REMOVAL

Separate the crankcase and remove the crankshaft and transmission (Section 11).

Remove the balancer idle gear shaft holder bolt.
Loosen the pinch bolt and remove the holder.

