

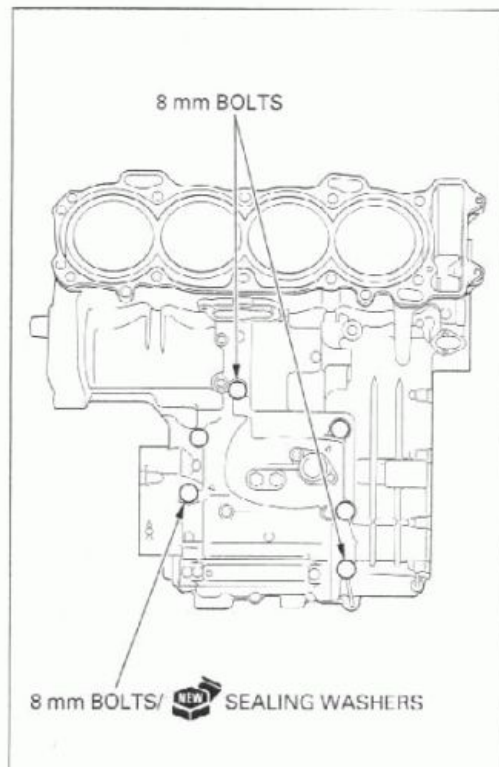
Install the upper crankcase 8 mm bolts and sealing washers.

NOTE

The sealing washer locations are indicated on the upper crankcase using the "△" mark.

Tighten the 8 mm bolts to the specified torque.

TORQUE: 25 N·m (2.5 kgf·m , 18 lbf·ft)



Install the new O-ring and sealing plug.

