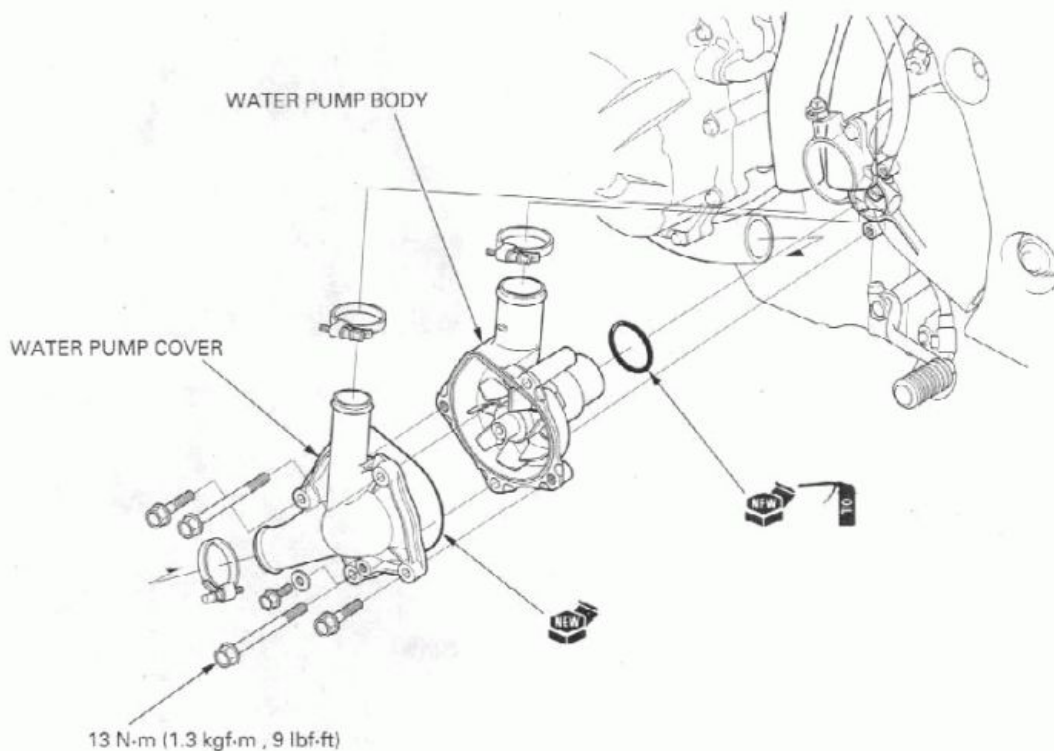
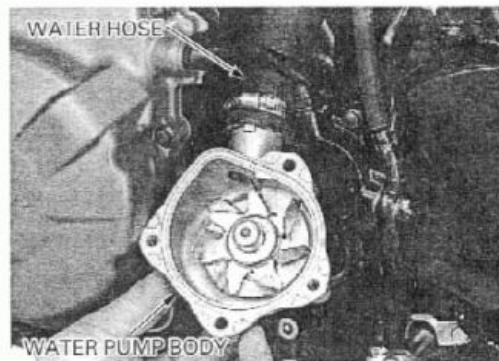


INSTALLATION



Connect the water pump-to-water joint hose to the water pump and tighten the clamp screw.



Apply engine oil to a new O-ring and install it onto the stepped portion of the water pump.

Install the water pump into the crankcase while aligning the water pump shaft groove with the oil pump shaft end.

