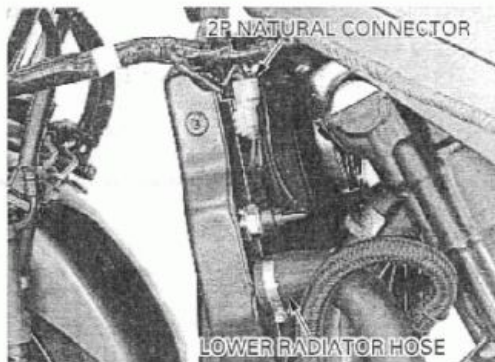
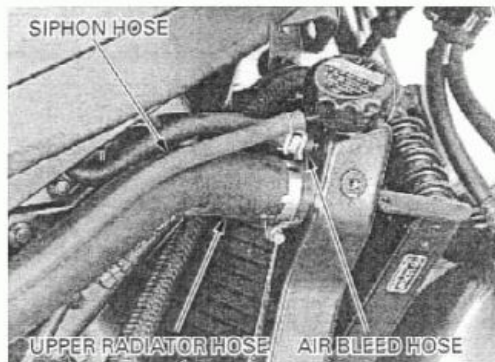


Connect the fan motor sub-harness 2P natural connector.
Connect the lower radiator hose.



Connect the upper radiator hose.
Connect the siphon hose and air bleed hose to the radiator.



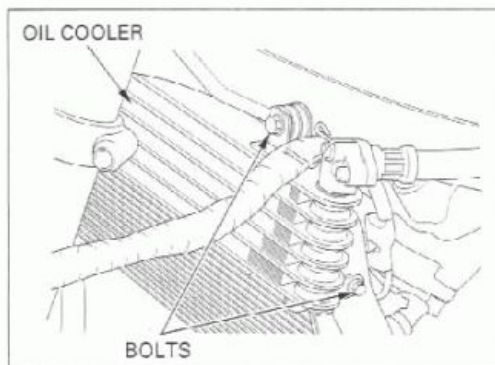
Install the oil cooler onto the radiator and oil cooler brackets, install and tighten the mounting bolts.

NOTE

Install the main wire harness guide onto the left oil cooler bracket.

Fill the system with the recommended coolant (page 6-5).

- Install the following:
- Lower cowl (page 2-4)
 - Wind guard (page 2-14)



WATER PUMP

MECHANICAL SEAL INSPECTION

Inspect the inspection hole for signs of coolant leakage.
If there is leakage, the mechanical seal is defective, replace the water pump as an assembly.

