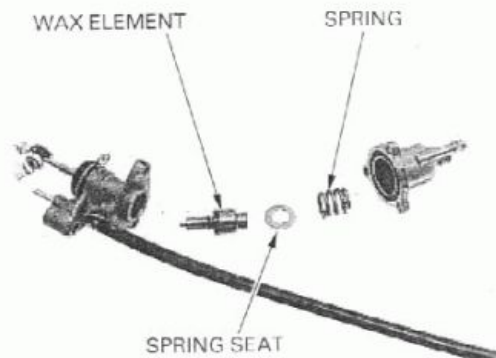


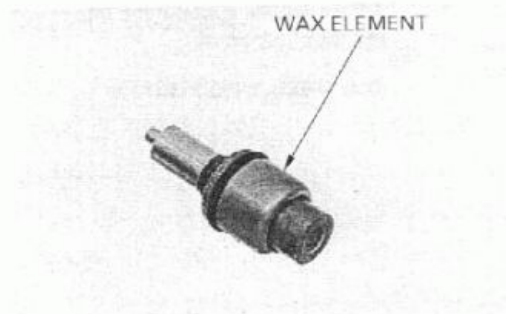
FUEL SYSTEM (Programmed Fuel Injection)

Remove the wax element, spring seat and compression spring.



INSPECTION

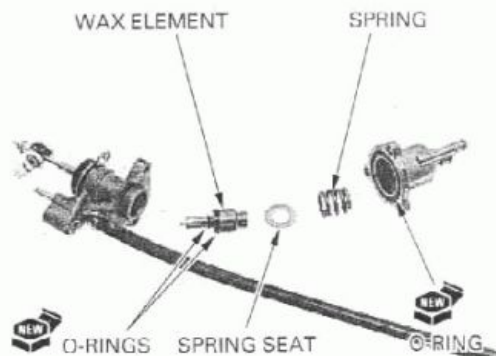
Visually inspect the wax element for damage and return spring for fatigue or damage.



ASSEMBLY

Install new O-rings onto the wax element grooves. Install a new O-ring into the groove of the wax element cover.

Install the wax element, spring seat and compression spring.



Install the wax element cover and mounting screws. Tighten the screws in a criss-cross pattern in two or three steps.

