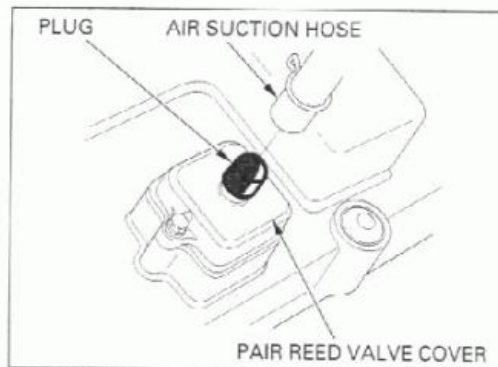


Remove the plugs and connect the PAIR air suction hoses to the reed valve covers.

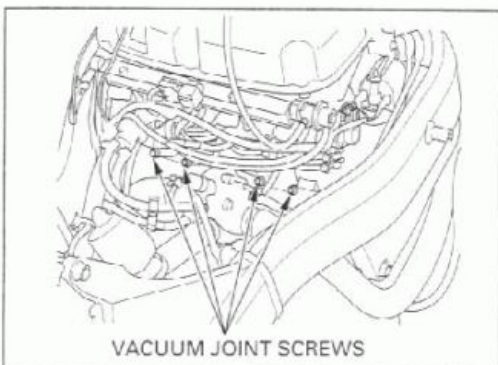


Adjust the idle speed if the idle speed differs from the specified speed.

IDLE SPEED: 1,100 ± 50 rpm



Remove the vacuum gauge and adaptors. Install and tighten the intake port vacuum joint screws.



FAST IDLE WAX UNIT

DISASSEMBLY

CAUTION:

Do not loosen or remove the wax unit shaft lock nut and adjusting nut.

Remove the starter valve shaft and wax unit assembly (page 5-79).

Remove the three wax element cover mounting screws in a criss-cross pattern in 2-3 steps.

