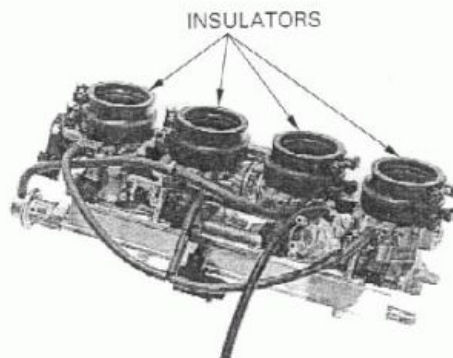


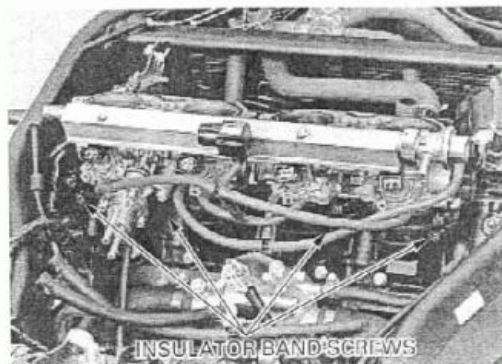
INSTALLATION ('99)

Check the insulator band angle.

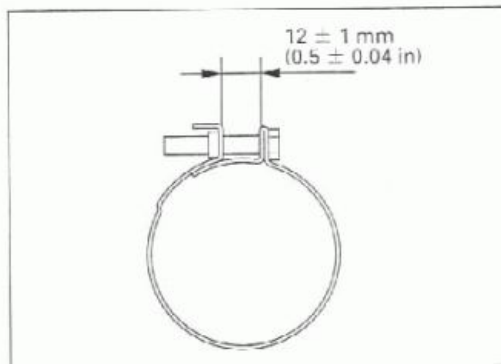


Apply oil to the insulator inside surfaces for ease of throttle body installation.

Install the throttle body onto the cylinder head.



Tighten the insulator band so the insulator band distance is 12 ± 1 mm (0.5 ± 0.04 in).



Connect the water hoses to the fast idle wax unit, tighten the clamp screw securely.

