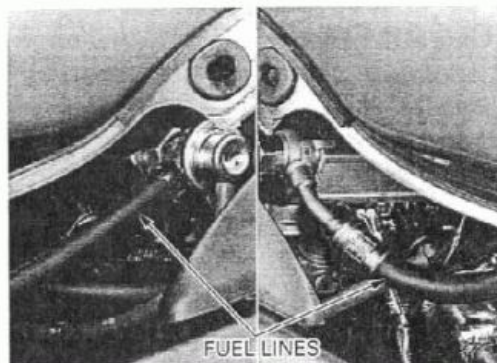


FUEL LINE

Lift the tank slowly, being careful not to overextend the fuel hose.

- Support the rear end of the fuel tank (page 5-55).
- Check the fuel lines for deterioration, damage or leakage. Replace the fuel line if necessary.
- Install the fuel tank in the reverse order of removal.

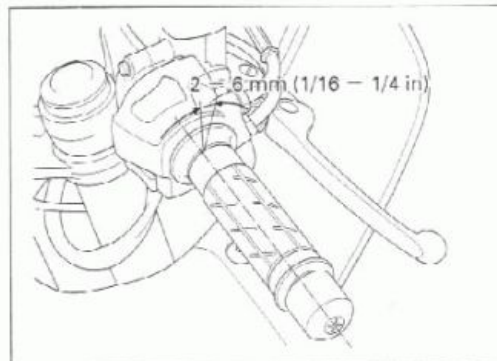


THROTTLE OPERATION

- Check for smooth throttle grip full opening and automatic full closing in all steering positions.
- Check the throttle cables and replace them if they are deteriorated, kinked or damaged.
- Lubricate the throttle cables, if throttle operation is not smooth.

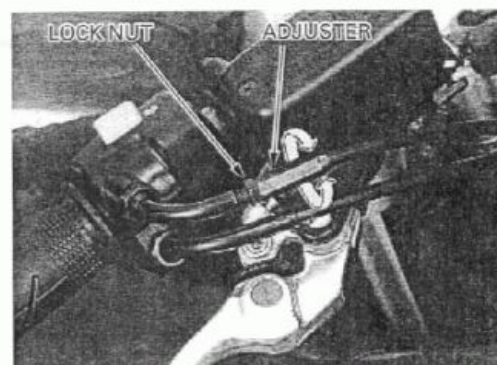
Measure the free play at the throttle grip flange.

FREE PLAY: 2–6 mm (1/16– 1/4 in)



Throttle grip free play can be adjusted at either end of the throttle cable.

Minor adjustments are made with the upper adjuster. Adjust the free play by loosening the lock nut and turning the adjuster.



Major adjustments are made with the lower adjuster.

Remove the air cleaner housing (page 5-65).

- Adjust the free play by loosening the lock nut and turning the adjuster.
- After adjustment, tighten the lock nut securely.
- Recheck the throttle operation.
- Replace any damaged parts, if necessary.

