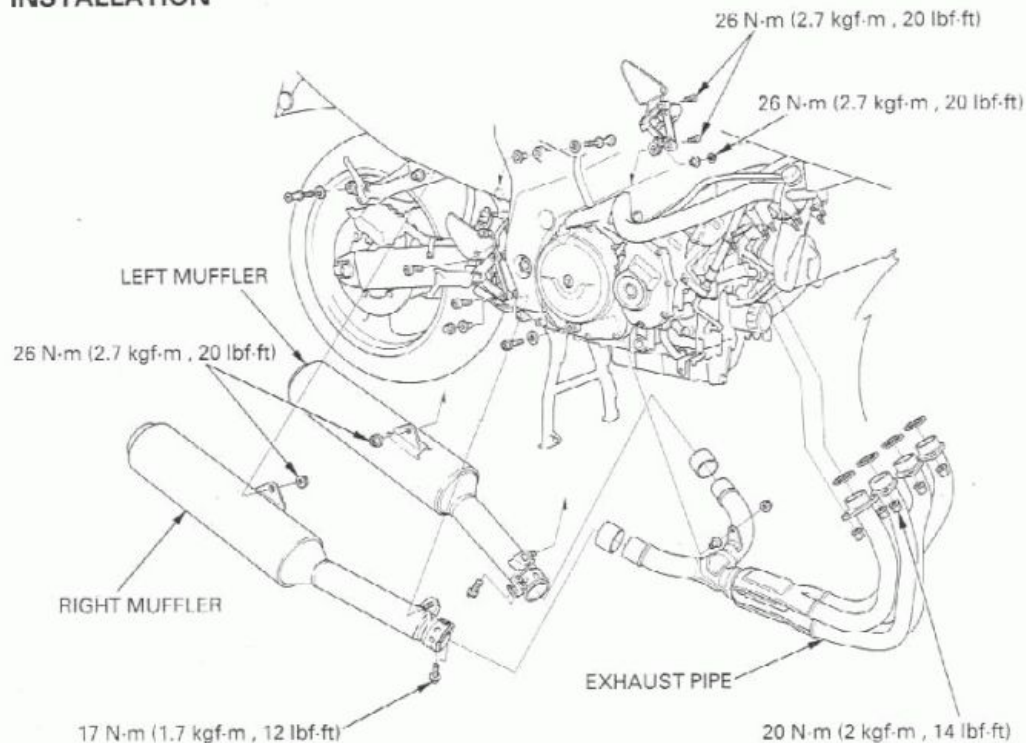


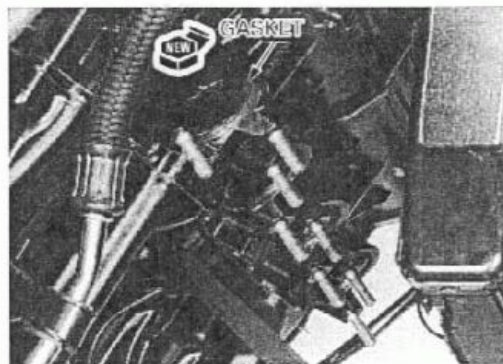
INSTALLATION



Install the new exhaust pipe gasket onto the exhaust ports of the cylinder head.

NOTE:

Always replace the exhaust pipe gaskets with new ones.



Install the exhaust pipe, temporarily install the exhaust pipe joint nuts and mounting bolt.

NOTE:

Install the mounting collars, washer, bolt and nut properly.

First tighten the exhaust pipe joint nuts to the specified torque.

TORQUE : 20 N-m (2.0 kgf-m , 14 lbf-ft)

