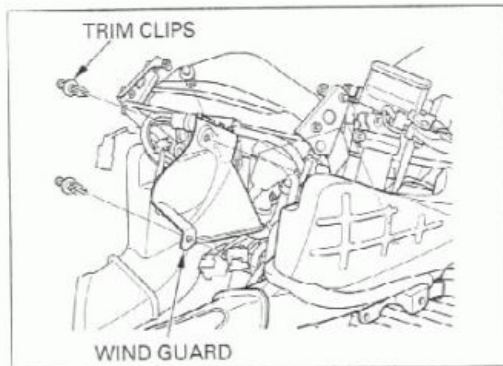


WIND GUARD/RAM DUCT

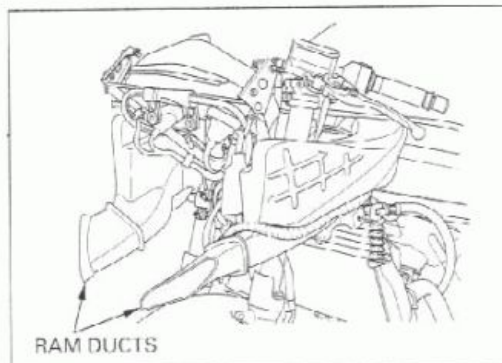
REMOVAL

Remove the upper cowl (page 2-8).

Remove the three trim clips and wind guard.



Remove the ram duct from the air cleaner housing.



INSTALLATION

Installation is in the reverse order of removal.

