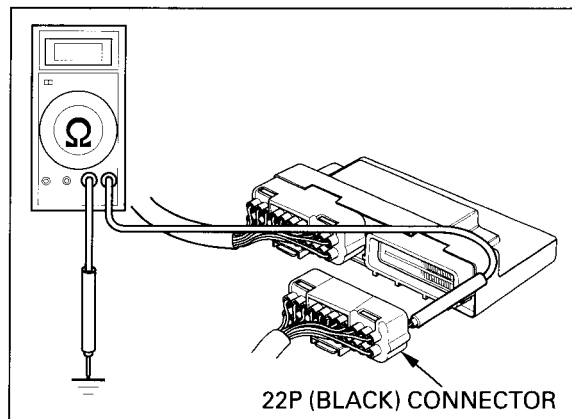


GROUND LINE INSPECTION

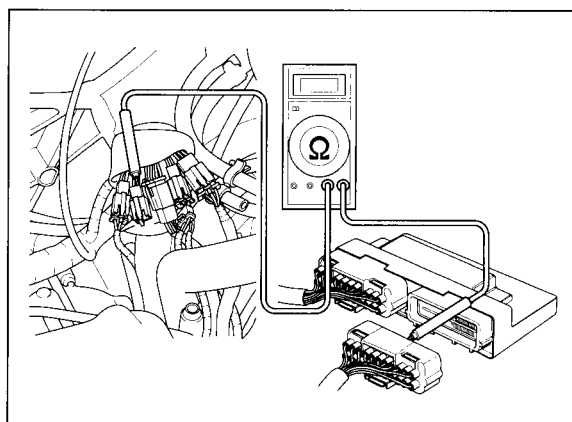
Check for continuity between the Green wire terminal and ground.
There should be continuity at all times.



IGNITION PULSE GENERATOR LINE INSPECTION

Disconnect the ignition pulse generator 2P (red) connector (page 20-5).

Check the Yellow and White/Yellow wires for continuity between the ECM and ignition pulse generator connectors.
There should be continuity between the same color wire terminals.



IMMOBILIZER RECEIVER

Remove the upper cowl (page 2-8).

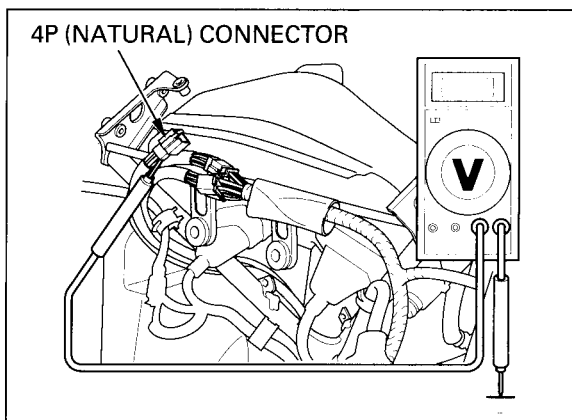
Disconnect the immobilizer receiver 4P (Natural) connector.

POWER INPUT LINE INSPECTION

Measure the voltage between the Yellow/Red wire terminal (+) of the wire harness side connector and ground (-).

Turn the ignition switch ON.

There should be approx. 5 V.



GROUND LINE INSPECTION

Check for continuity between the Green/Orange wire terminal of the wire harness side connector and ground.

There should be continuity at all times.

