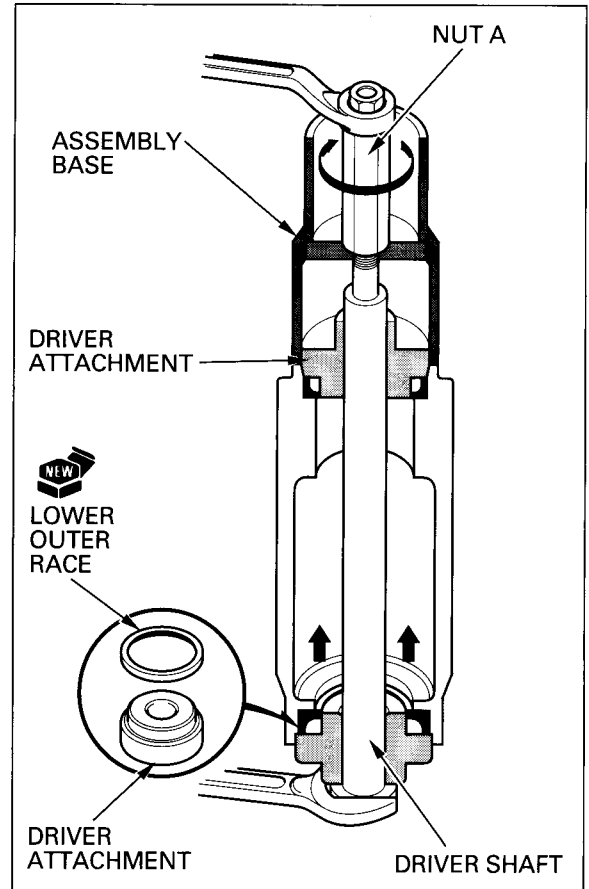


Install a new lower outer race and ball race remover as shown.

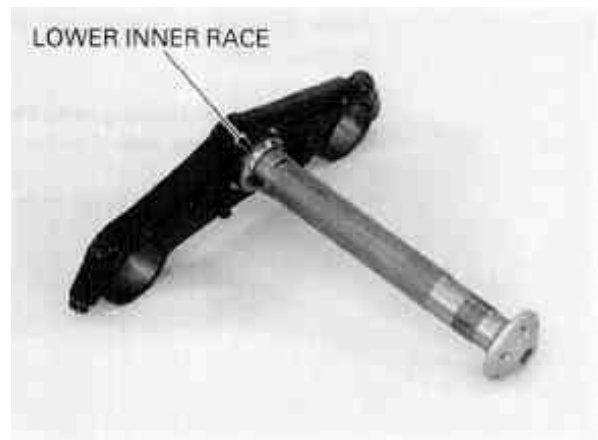
Holding the driver shaft with a wrench, turn nut A gradually until the groove in driver attachment B aligns with the upper end of the steering head. This will allow you to install the lower outer race.



Temporarily install the steering stem nut onto the stem to prevent the threads from being damaged when removing the lower bearing inner race from the stem.

Remove the lower bearing inner race with a chisel or equivalent tool, being careful not to damage the stem.

Remove the dust seal.



Apply grease to new dust seal lips and install it over the steering stem.

Install a new lower bearing inner race using a special tool and a hydraulic press.

TOOL:

Steering stem driver 07946-MB00000

