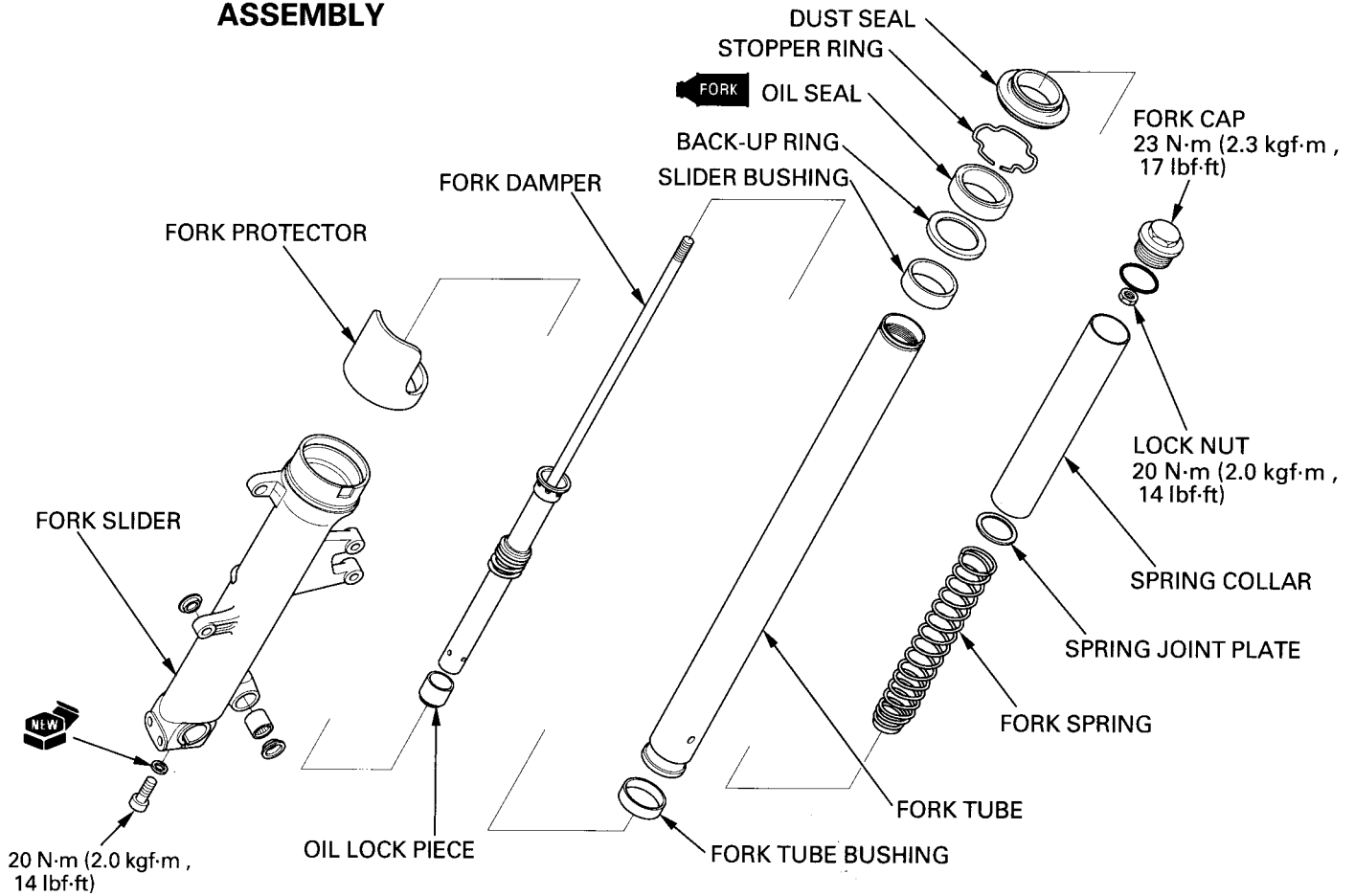


ASSEMBLY



Before assembly, wash all parts with a high flash or non-flammable solvent and wipe them dry.

Install a new fork tube bushing if the bushing has been removed.

Install the oil seal with its marked side facing up. Install the slider bushing, back-up ring and a new oil seal.

Apply fork fluid to the oil seal lips. Install the fork tube into the fork slider.

Drive the oil seal in using the special tools.

TOOL:

Slider weight 07947-KA50100
Oil seal driver 07947-KA40200

