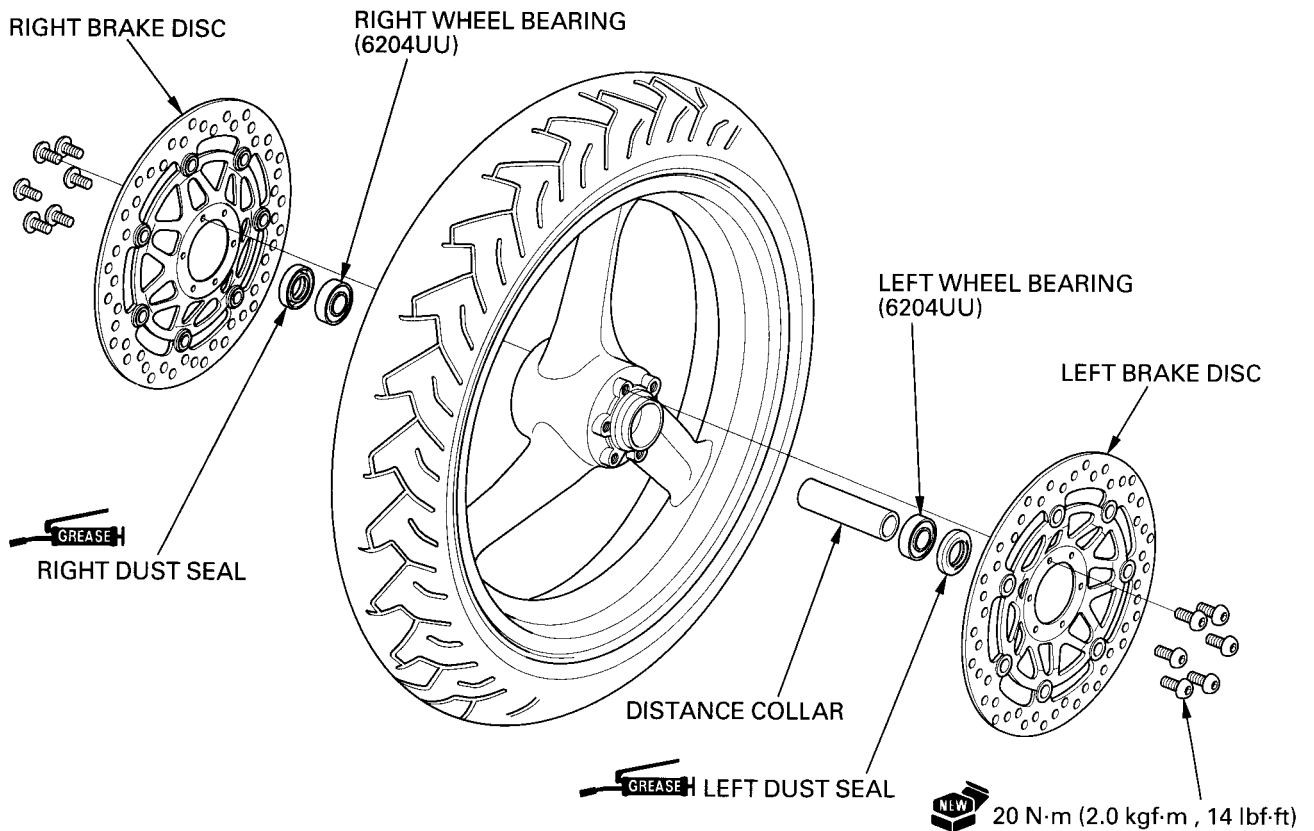


**ASSEMBLY**



**CAUTION:**

*Never install the old bearings. Once the bearings has been removed, the bearing must be replaced with new ones.*

Drive in a new right bearing squarely. Install the distance collar, then drive in the left bearing using the special tool.

**TOOLS:**

<b>Driver</b>	07749-0010000
<b>Attachment, 42 × 47 mm</b>	07746-0010300
<b>Pilot, 20 mm</b>	07746-0040500

**▲WARNING**

*Do not get grease on the brake discs or stopping power will be reduced.*

Install the brake discs on the wheel hub. Install and tighten the new mounting bolts to the specified torque.

**TORQUE:** 20 N·m (2.0 kgf·m , 14 lbf·ft)

Apply grease to the dust seal lips, then install them into the wheel hub.

