

FRONT WHEEL/SUSPENSION/STEERING

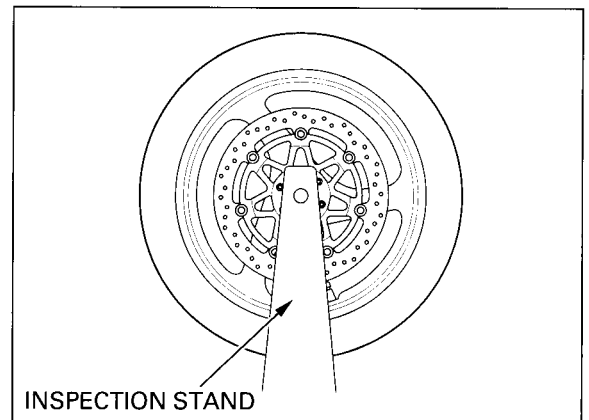
NOTE:

Note the rotating direction marks on the wheel and tire.



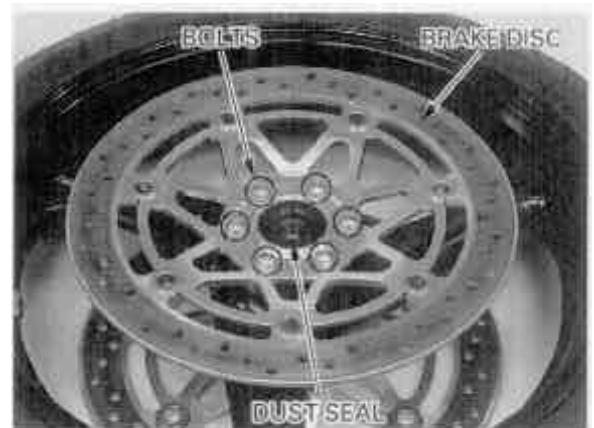
Remove the dust seals from the wheel.
Mount the wheel, tire and brake discs assembly in an inspection stand.
Spin the wheel, allow it to stop, and mark the lowest (heaviest) point of the wheel with a chalk.
Do this two or three times to verify the heaviest area.
If the wheel is balanced, it will not stop consistently in the same position.

To balance the wheel, install wheel weights on the highest side of the rim, the side opposite the chalk marks. Add just enough weight so the wheel will no longer stop in the same position when it is spun. Do not add more than 60 grams to the wheel.



DISASSEMBLY

Remove the bolts and brake discs.
Remove the dust seals.



Install the bearing remover head into the bearing.
From the opposite side, install the bearing remover shaft and drive the bearing out of the wheel hub.
Remove the distance collar and drive out the other bearing.

TOOLS:

Bearing remover head, 20 mm 07746-0050600
Bearing remover shaft 07746-0050100

