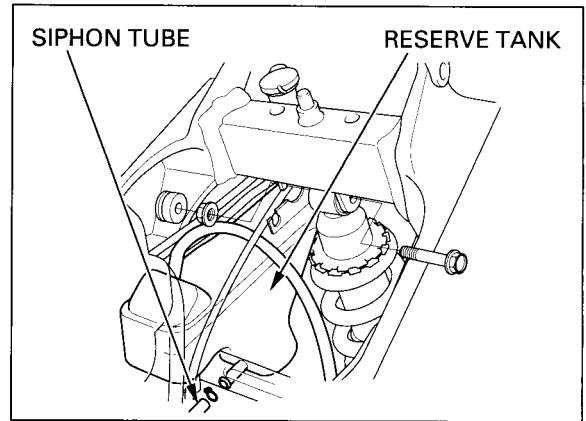


COOLING SYSTEM

Remove the shock absorber (page 14-9).

Release the hook from the engine mounting collar, then remove the reserve tank backward. Disconnect the siphon tube and drain the coolant from the reserve tank.



INSTALLATION

Connect the siphon tube to the radiator and install the radiator reserve tank aligning its hook with the engine mounting collar.

Install the removed parts in the reverse order of removal.

NOTE:

At rear fender installation, align the cut-out of the rear fender with the reserve tank filler neck boss.

