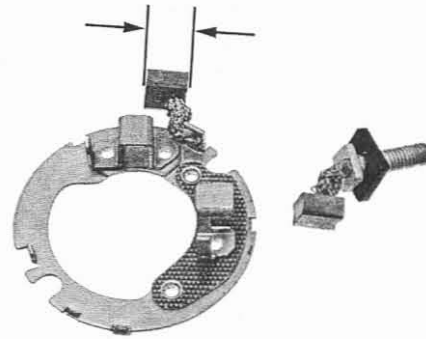


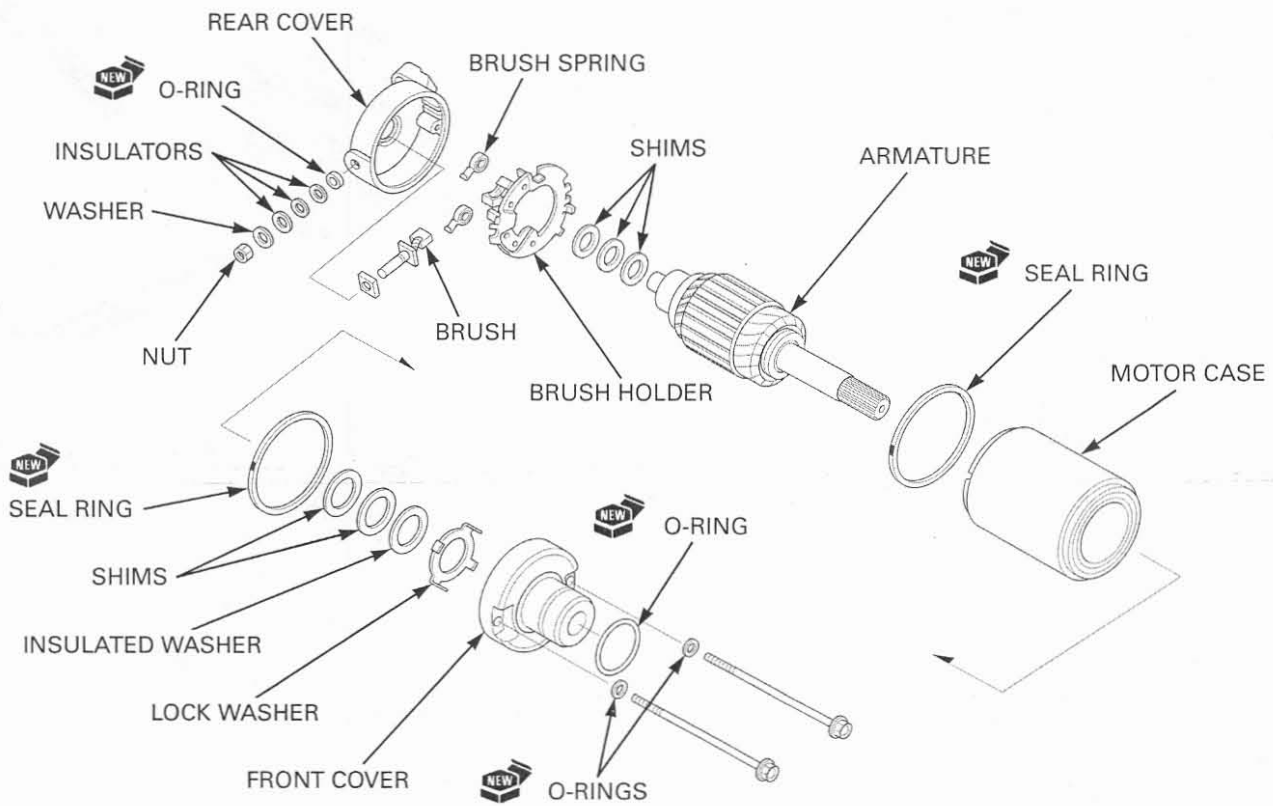
ELECTRIC STARTER

Inspect the brushes for damage and measure the brush length.

SERVICE LIMIT: 6.5 mm (0.26 in)



ASSEMBLY



Install the brushes and brush springs to the brush holder.

