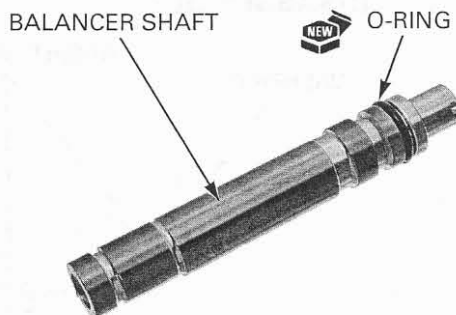


CRANKCASE/CRANKSHAFT/BALANCER/PISTON/CYLINDER

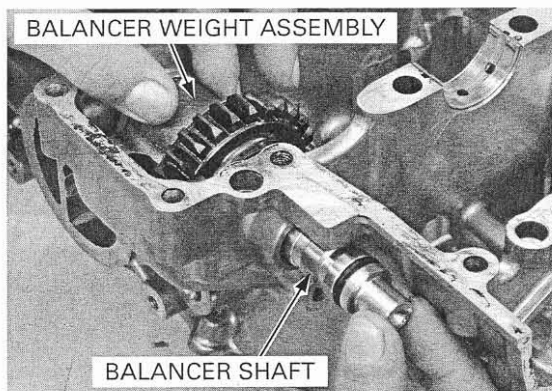
Install a new O-ring to the balancer shaft.



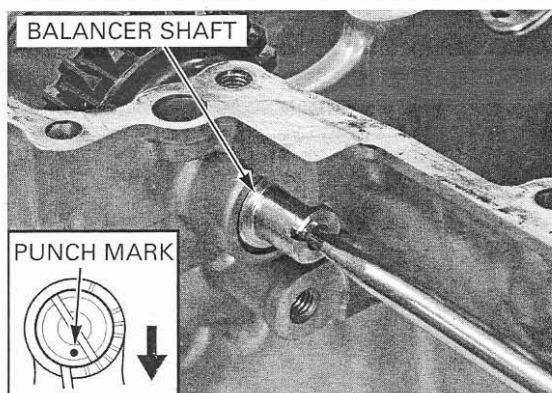
INSTALLATION

Install the balancer weight into the lower crankcase.

Install the balancer shaft.



Turn the balancer shaft and place the punch mark on the shaft facing down.



Install the balancer shaft holder.

Install the balancer holder bolt and balancer holder pinch bolt.

Assemble the crankcase halves (page 13-21).

