

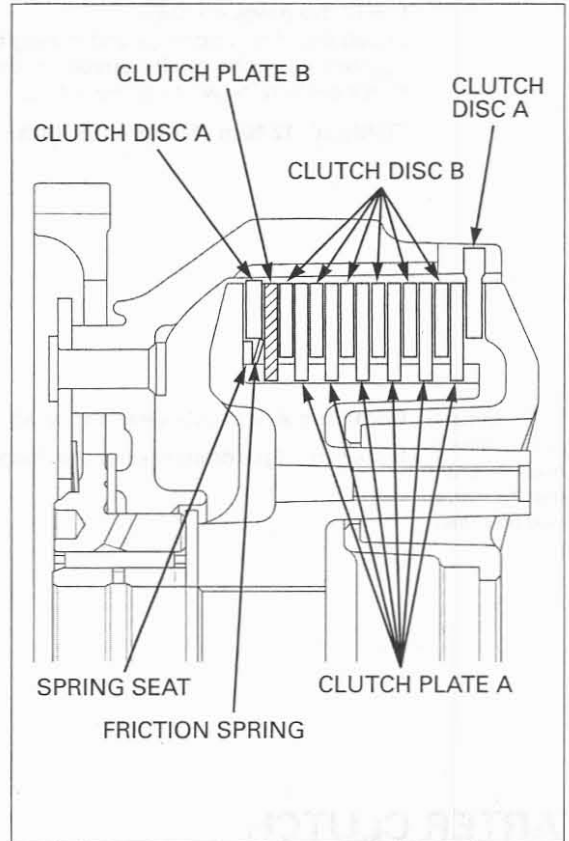
Install the spring seat and friction spring onto the clutch center as shown.

Coat the clutch discs and plates with clean engine oil.

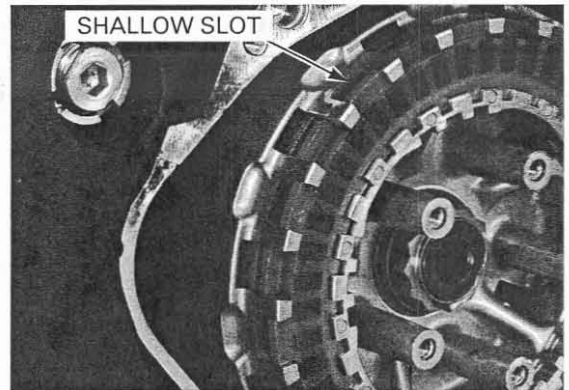
*Surface treatment of clutch plate B is different from that of plate A.*

First install the clutch disc A (larger I.D. disc) into the clutch outer, and then install the clutch plate B.

Stack the six clutch discs (B) and plates (A) alternately.



Install the clutch disc A (larger I.D. disc) and set the tabs of it in the shallow slots of the clutch outer.



Install the push rod and clutch lifter piece into the mainshaft.

