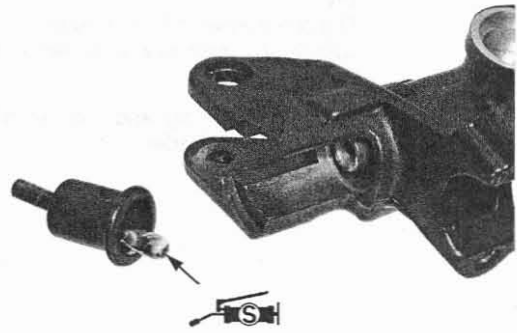


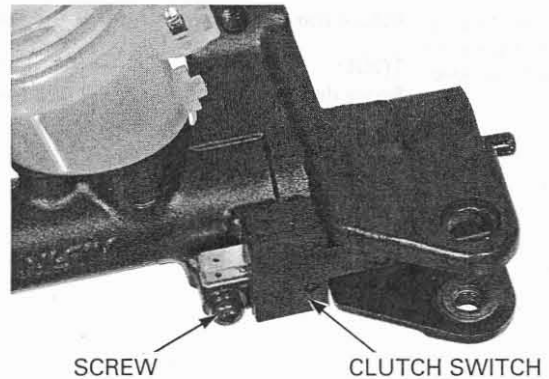
CLUTCH/STARTER CLUTCH

Apply silicone grease to the boot inside and tip of the push rod.

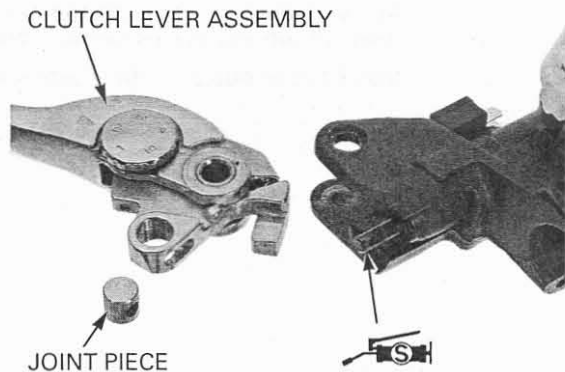


Install the clutch switch and tighten the screw to the specified torque.

TORQUE: 1 N·m (0.1 kgf·m, 0.7 lbf·ft)



Apply silicone grease to the top of the push rod, then install the joint piece and clutch lever assembly.



Apply silicone grease to the clutch lever pivot sliding surface.

Install and tighten the pivot bolt to the specified torque.

TORQUE: 1 N·m (0.1 kgf·m, 0.7 lbf·ft)

Hold the pivot bolt and tighten the pivot nut to the specified torque.

TORQUE: 5.9 N·m (0.6 kgf·m, 4.3 lbf·ft)

