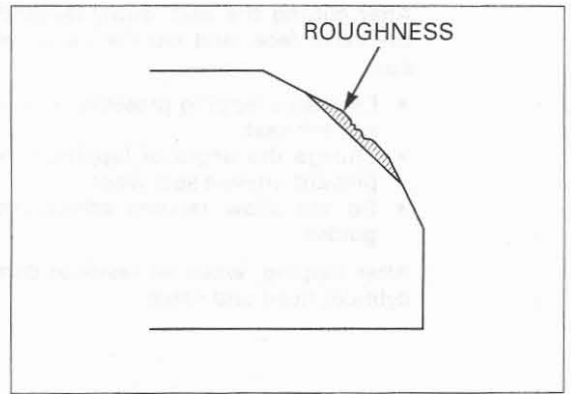


Reface the seat with a 45-degree cutter whenever a valve guide is replaced.

Use a 45-degree cutter to remove any roughness or irregularities from the seat.

TOOLS:
 Seat cutter, 29 mm (IN)
 Seat cutter, 27.5 mm (EX)
 Cutter holder

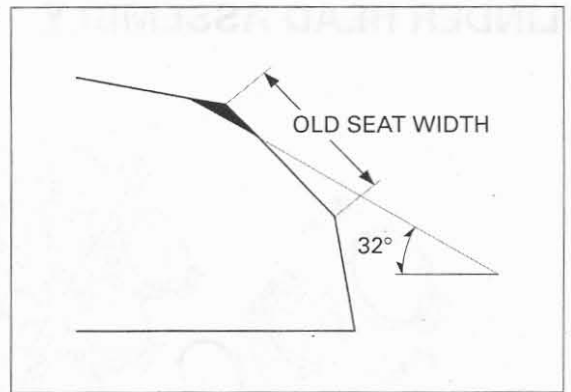
07780-0010300
 07780-0010200
 07JMH-KY20200 or equivalent commercially available in U.S.A.



Use a 32-degree cutter to remove the top 1/4 of the existing valve seat material.

TOOLS:
 Flat cutter, 30 mm (IN)
 Flat cutter, 27 mm (EX)
 Cutter holder

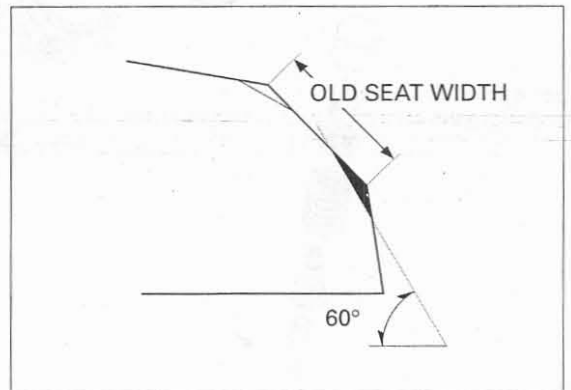
07780-0012200
 07780-0013300
 07JMH-KY20200 or equivalent commercially available in U.S.A.



Use a 60-degree cutter to remove the bottom 1/4 of the old seat.

TOOLS:
 Interior cutter, 30 mm (IN)
 Interior cutter, 30 mm (EX)
 Cutter holder

07780-0014000
 07780-0014000
 07JMH-KY20200 or equivalent commercially available in U.S.A.



Using a 45-degree seat cutter, cut the seat to the proper width. Make sure that all pitting and irregularities are removed. Refinish if necessary.

