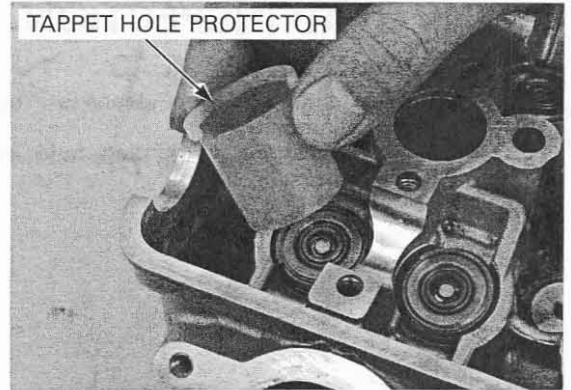


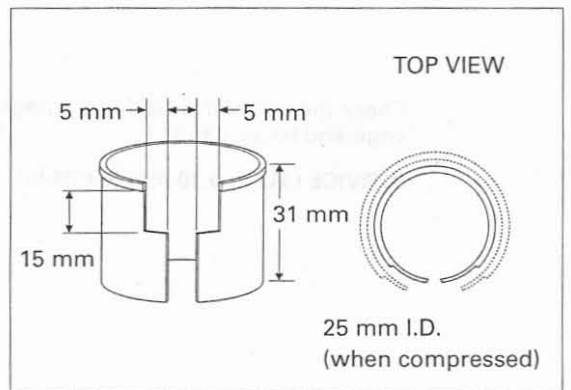
Remove the spark plugs from the cylinder head.  
Install the tappet hole protector into the valve lifter bore.

**TOOL:**  
Tappet hole protector

**07HMG-MR70002**  
(not available in U.S.A.)



An equivalent tool can easily be made from a plastic 35 mm film container as shown.

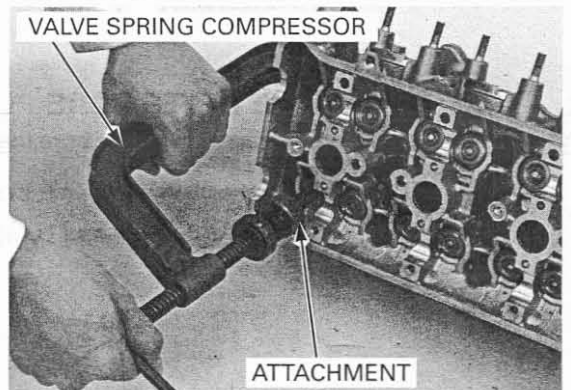


*To prevent loss of tension, do not compress the valve springs more than necessary to remove the cotters.*

Remove the valve spring cotters using the special tools as shown.

**TOOLS:**  
Valve spring compressor  
Valve spring compressor attachment

**07757-0010000**  
**07959-KM30101**



*Mark all parts during disassembly so they can be placed back in their original locations.*

Remove the following:

- Spring retainer
- Valve springs
- Valve
- Stem seal
- Valve spring seat

