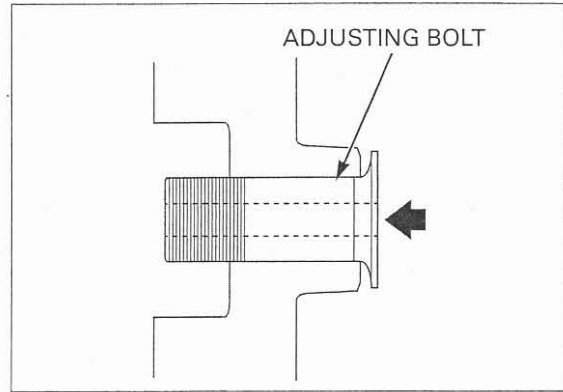


## ENGINE REMOVAL/INSTALLATION

Install the rear upper and rear lower engine hanger adjusting bolts fully from the inside of the frame.

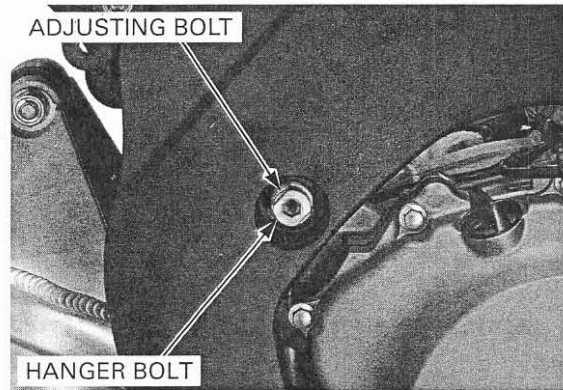


Carefully install the engine into the frame.

*Do not interchange the upper and lower hanger bolts. The upper hanger bolt is not hollow.*

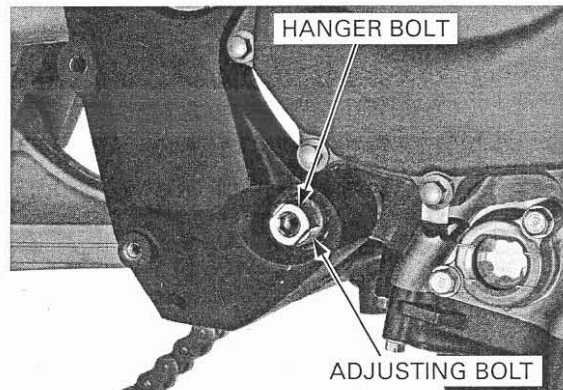
Install the collars and rear upper engine hanger bolt from the right side.

Align the flats of the rear upper hanger bolt head with the adjusting bolt boss.



Install the rear lower engine hanger bolt from the right side.

Align the flats of the rear lower hanger bolt head with the adjusting bolt boss.



*The front hanger bolt is hollow.*

Install the distance collars, right front engine hanger bolt and middle engine hanger bolt.

