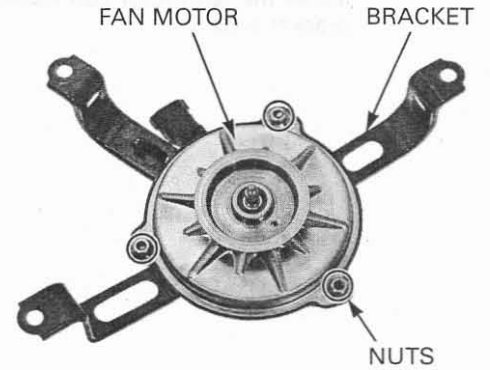
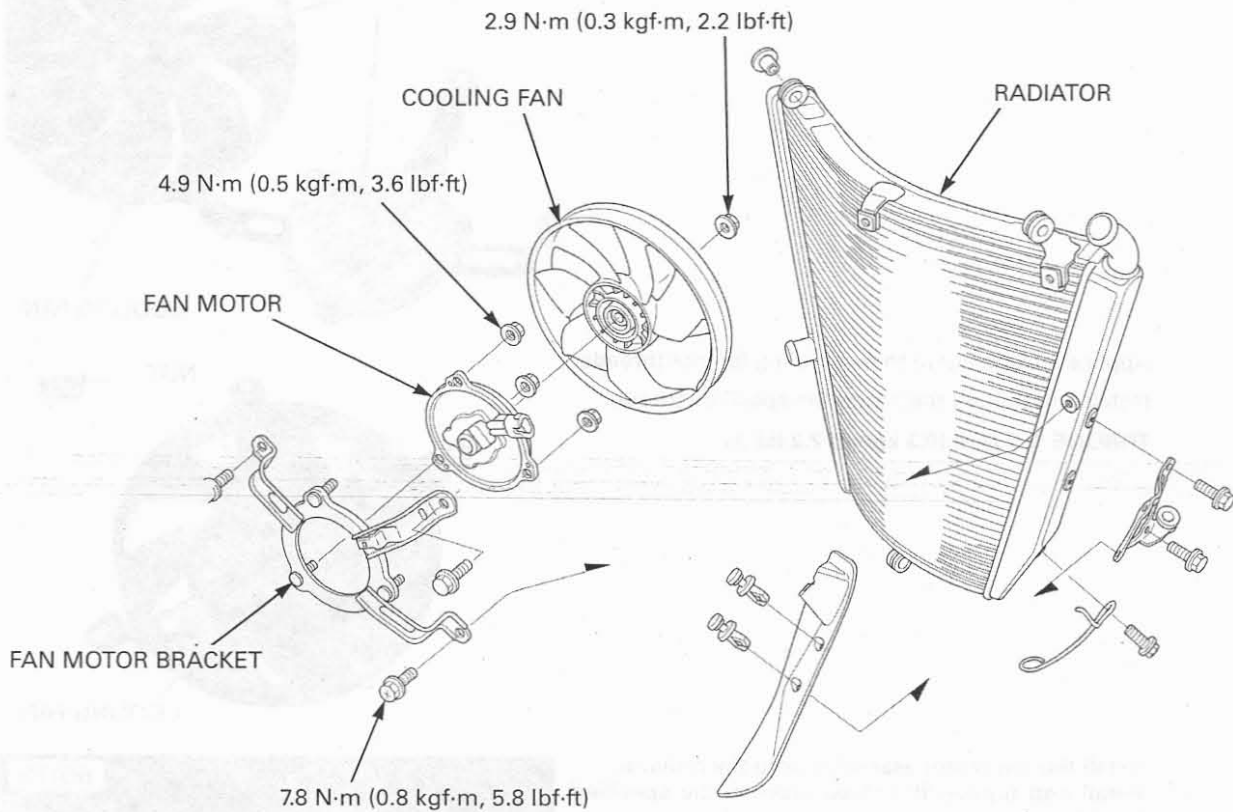


Remove the nuts and fan motor from the fan motor bracket.

Refer to the fan control relay information (page 7-21).



ASSEMBLY



Install the fan motor onto the fan motor bracket and tighten the nuts to the specified torque.

TORQUE: 4.9 N·m (0.5 kgf·m, 3.6 lbf·ft)

