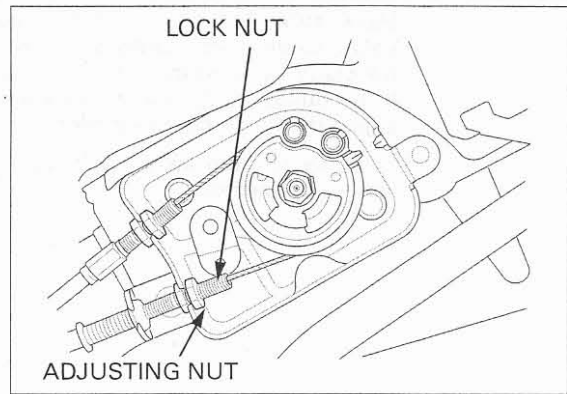


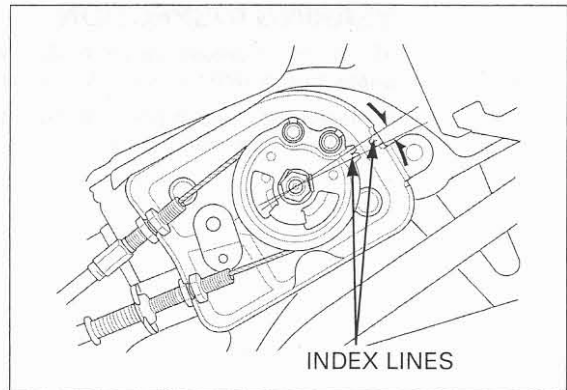
## MAINTENANCE

6. Move the cable several times and recheck the index line.
7. Seat the adjusting nut to the housing and tighten the lock nut securely.



8. Remove the SCS service connector from the DLC, then reinstall it.

Make sure that the EGCV (Exhaust Gas Control Valve) cable guide pulley index line is aligned with the EGCV housing index line.

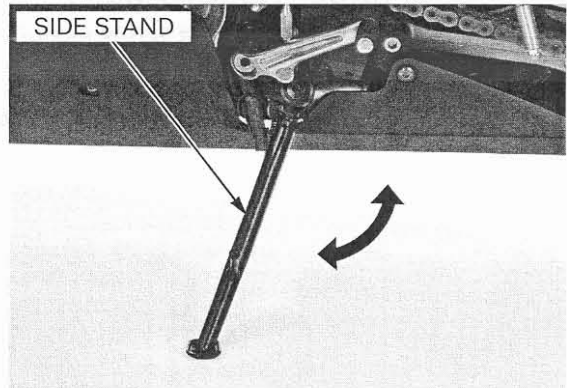


## SIDE STAND

Support the motorcycle on a level surface.

Check the side stand spring for damage or loss of tension.

Check the side stand assembly for freedom of movement and lubricate the side stand pivot if necessary.



Check the side stand ignition cut-off system:

- Sit astride the motorcycle and raise the side stand.
- Start the engine with the transmission in neutral, then shift the transmission into gear, with the clutch lever squeezed.
- Move the side stand full down.
- The engine should stop as the side stand is lowered.

If there is a problem with the system, check the side stand switch (page 20-22).

