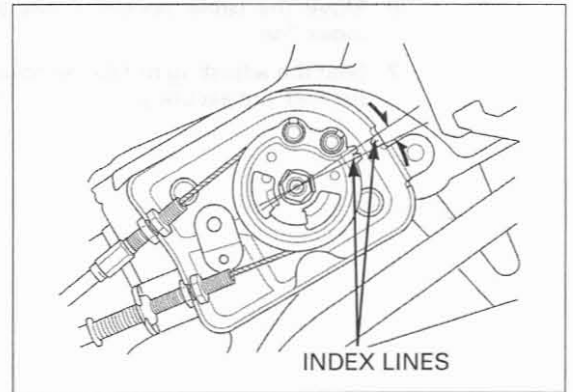


Make sure that the EGCV (Exhaust Gas Control Valve) cable guide pulley index line is aligned with the EGCV housing index line as shown. If the pulley index line is not within the tolerance, adjust the EGCV control cables.

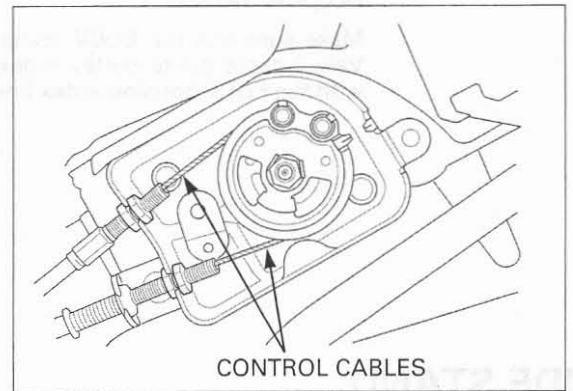
Turn the ignition switch OFF and remove the SCS service connector.



**BEARING INSPECTION**

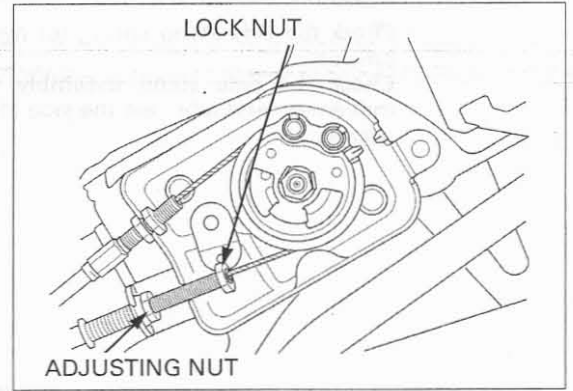
Move the exhaust valve pulley with your hand, check the exhaust valve shaft for excessive play.

If there is excessive play, replace the exhaust valve shaft bearings with new ones.



**CABLE ADJUSTMENT**

1. Fully loosen the spring equipped side cable lock nut and adjusting nut.
2. Short the Data Link Connector (DLC) terminals using the special tool (page 4-34).



3. Loosen the adjusting cable lock nut and adjusting nut.
4. Adjust the pulley position by turning the adjusting nut.
5. Tighten the lock nut securely.

