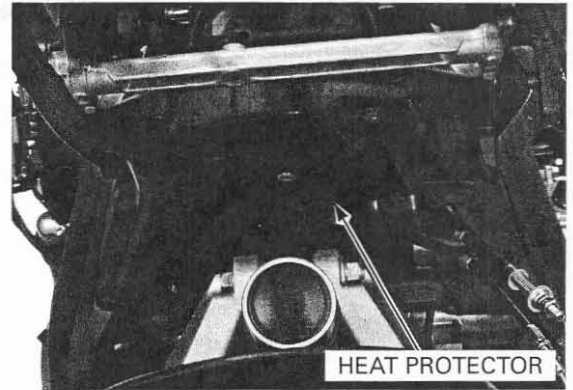
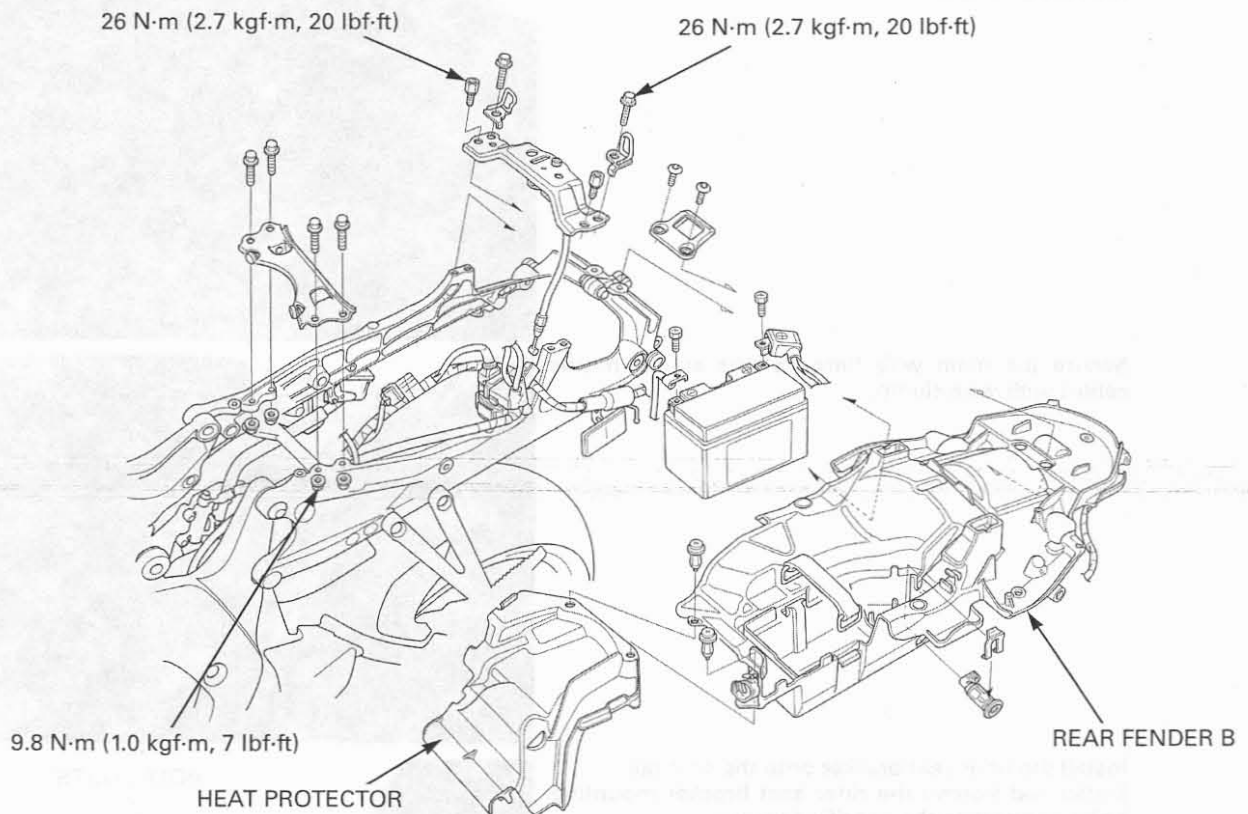


Remove the muffler and muffler heat protector (page 3-30).

Remove the heat protector from the seat rail and frame.



REAR FENDER B INSTALLATION



Install the heat protector onto the seat rail and frame.

Install the muffler and muffler heat protector (page 3-36).

