

FRAME/BODY PANELS/EXHAUST SYSTEM

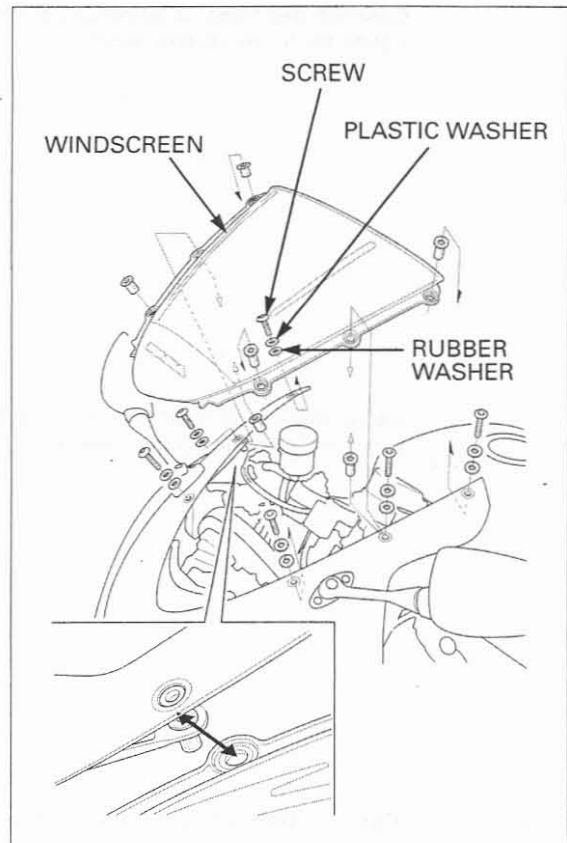
Install the cowl setting nuts into the windscreen holes.

Install the windscreen, then install the rubber and plastic washers and screws.

Tighten the screws to the specified torque.

TORQUE: 0.5 N·m (0.05 kgf·m, 0.4 lbf·ft)

Install the middle cowls/under cowls (page 3-7).



TOP SHELTER

REMOVAL/INSTALLATION

Remove the rider seat (page 3-4).

Remove the front side cover special screws.

Remove both front side covers by releasing the tabs from the top shelter.

