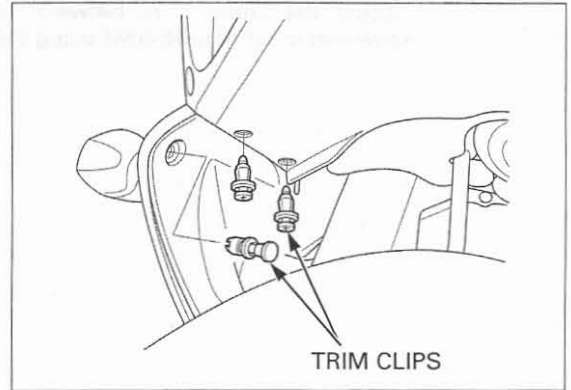


Install the trim clips.



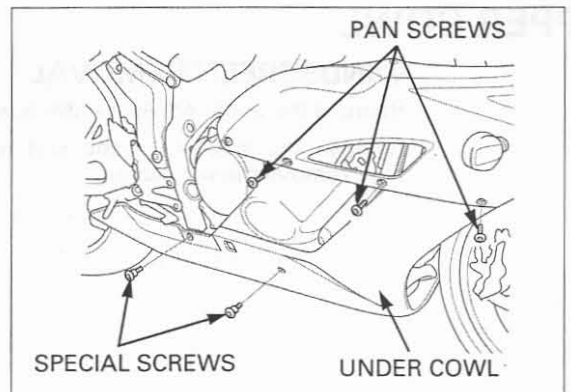
Install the right and left under cowls by aligning the bottom end.

Install and tighten the under cowl-to-middle cowl pan screws to the specified torque.

TORQUE: 1.5 N·m (0.15 kgf·m, 1.1 lbf·ft)

Install and tighten the under cowl mounting special screw to the specified torque.

TORQUE: 9.8 N·m (1.0 kgf·m, 7 lbf·ft)



Secure the bottom of the under cowls using the four trim clips and pan screw.

Tighten the special screw to the specified torque.

TORQUE: 9.8 N·m (1.0 kgf·m, 7 lbf·ft)

