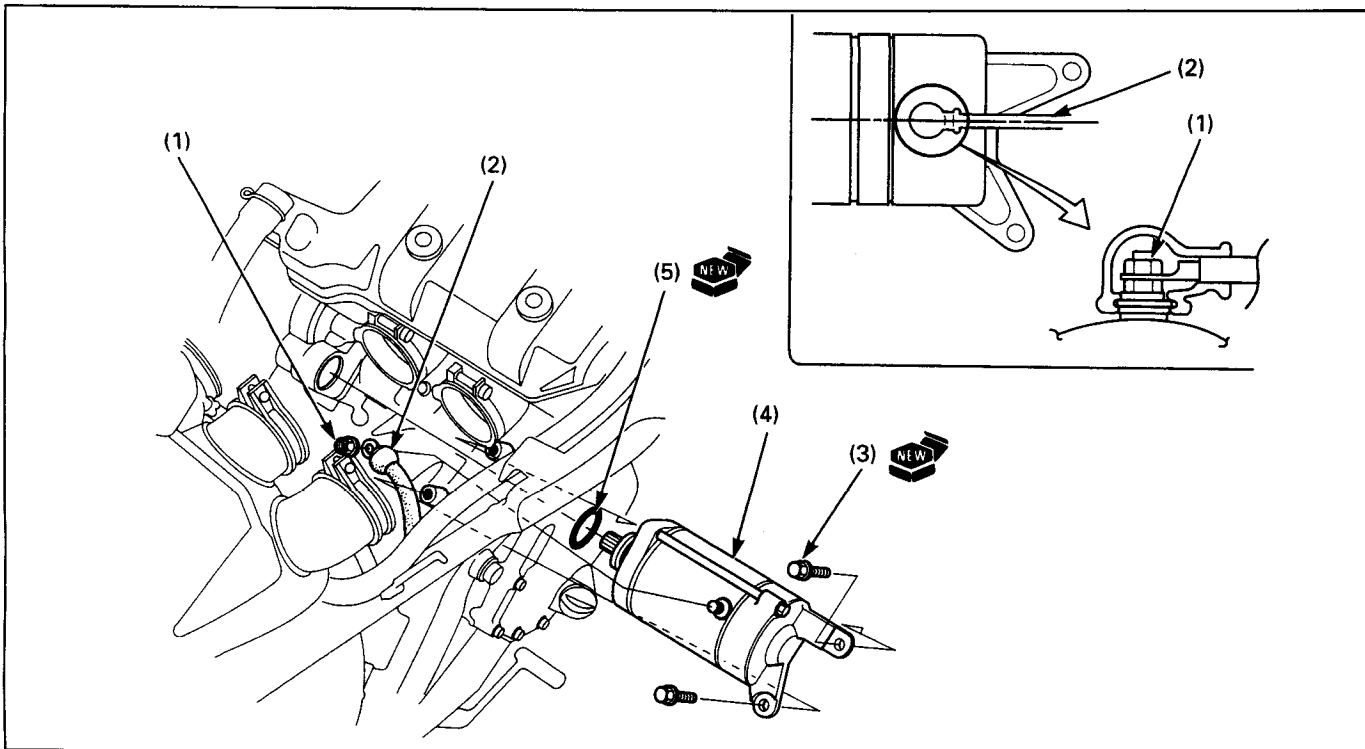


Starter Motor Removal/Installation



⚠ WARNING

• With the ignition switch OFF, remove the negative cable at the battery before servicing the starter motor.

NOTE

- Route the wire and cables properly (page 1-23)
- The starter motor can be removed easily after removing the carburetor.

Requisite Service

- Lower fairing removal/installation (page 2-6)
- Carburetor removal/installation (page 5-4)

Procedure		Q'ty	Remarks
Removal Order			Installation is in the reverse order of removal.
(1)	Terminal nut	1	
(2)	Starter motor cable eyelet	1	
(3)	Starter motor mounting bolt	2	
(4)	Starter motor assembly	1	Disassembly/assembly (page 16-8)
(5)	O-ring	1	