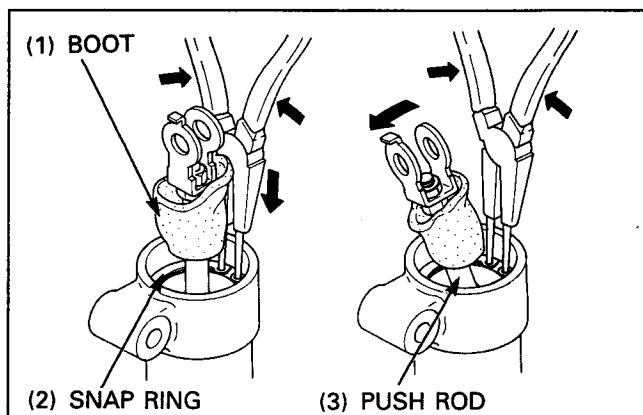


**Push Rod Removal/Installation**

Remove the boot from the secondary master cylinder.

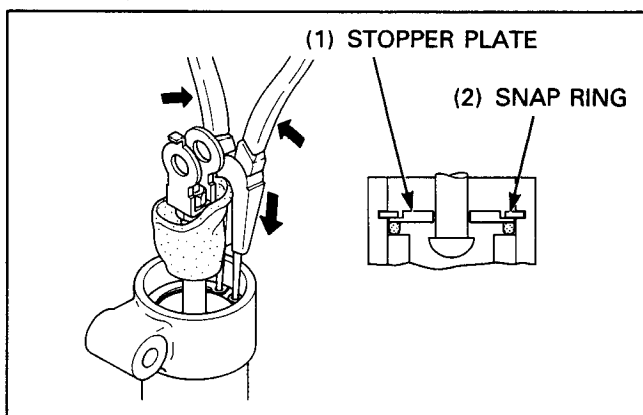
Set the snap ring pliers to the snap ring.  
Hold the snap ring pliers and tilt the push rod, then remove the push rod assembly from the master cylinder.



Install the new snap ring onto the push rod.

Install the push rod assembly into the master cylinder.  
Install the snap ring into the master cylinder groove securely.

Make sure the snap ring is seated into the master cylinder groove and stopper plate as shown.



Check that the snap ring is rotated freely into the groove.

Measure the snap ring end gap is 5.2 mm or more.

