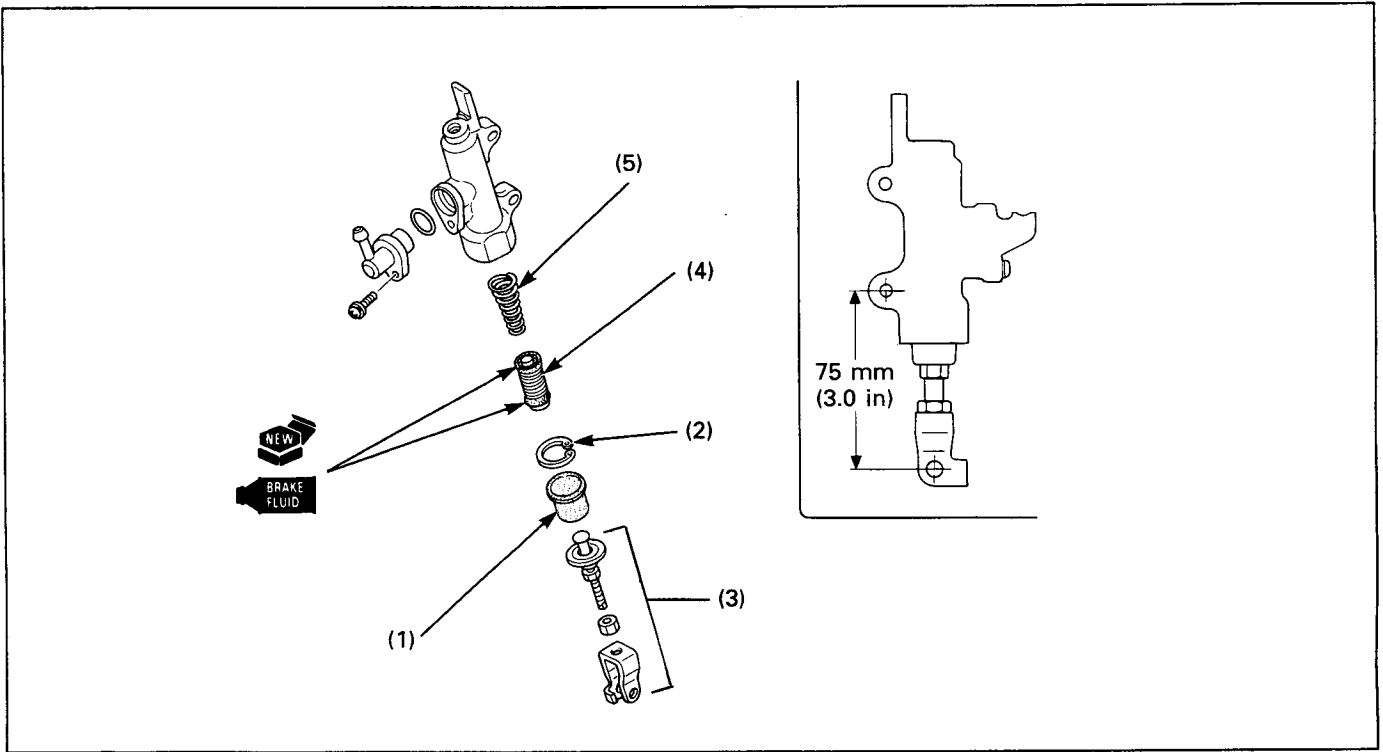


Rear Master Cylinder Disassembly/Assembly



NOTE

- Replace the master piston, spring, cups, snap ring and boot as a set.
- The master piston, cups and spring must be installed as a set.

Requisite Service

- Rear master cylinder removal/installation (page 13-18)

Procedure		Q'ty	Remarks
Disassembly Order			Assembly is in the reverse order of disassembly.
(1)	Boot	1	CAUTION • Be certain the snap ring is fully seated in the groove. Adjust the push rod joint install length as shown.
(2)	Snap ring	1	
(3)	Push rod assembly	1	
(4)	Master piston	1	
(5)	Spring	1	
			Install the spring with the small coil end facing the piston.