

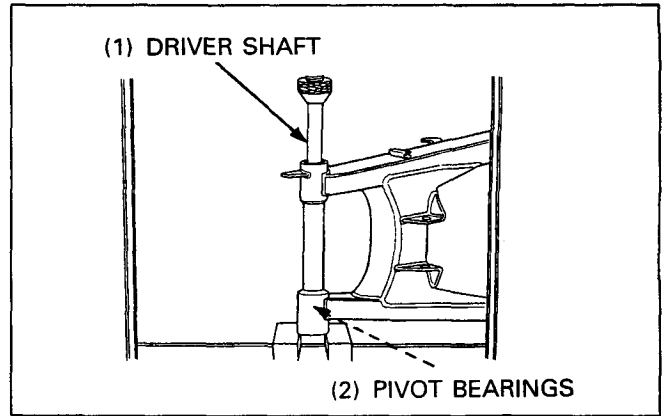
Swingarm Pivot Bearing Replacement

Press the right pivot bearings (radial ball bearing) out of the swingarm.

S. TOOL

Driver shaft

07946-MJ00100



Press the left pivot bearings (needle bearing) out of the swingarm.

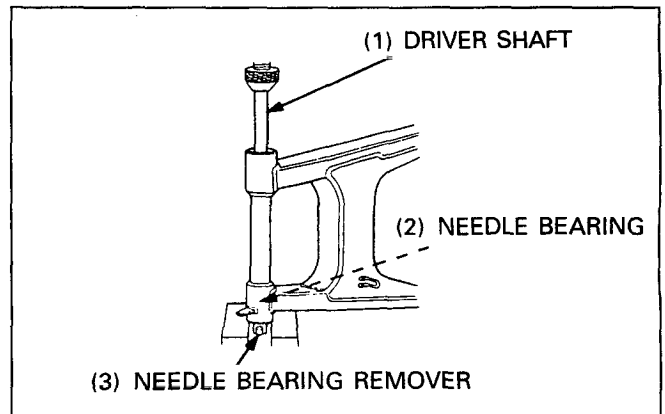
S. TOOL

Needle bearing remover

Driver shaft

07GMD-KT70200

07946-MJ00100



Apply grease to the new needle bearing.
Press a new needle bearing into the left swingarm pivot.

S. TOOL

Driver

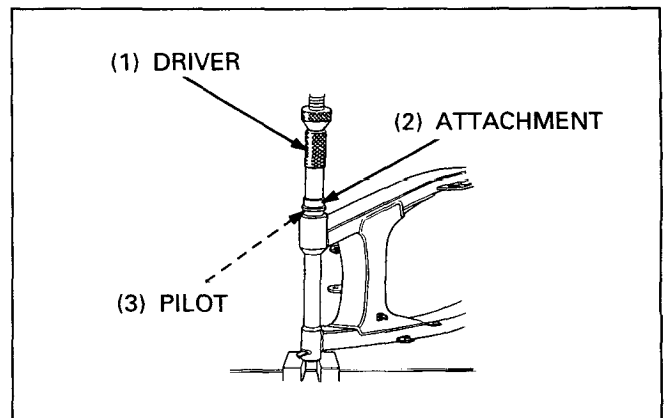
Attachment, 28 x 30 mm

Pilot, 22 mm

07749-0010000

07946-1870100

07746-0041000



Pack all bearing cavity with grease.
Press new right pivot bearings into right swingarm pivot.

S. TOOL

Driver

Attachment, 32 x 35 mm

Pilot, 15 mm

07749-0010000

07746-0010100

07746-0040300

