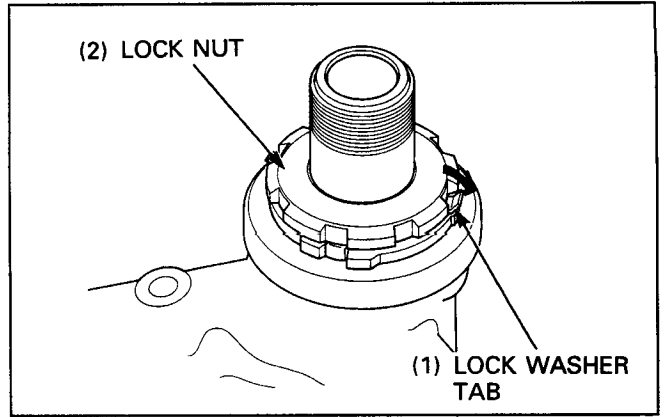


## Bearing Adjustment Nut Removal

Bend the tabs of the lock washer straight and then remove the lock nut and lock washer.

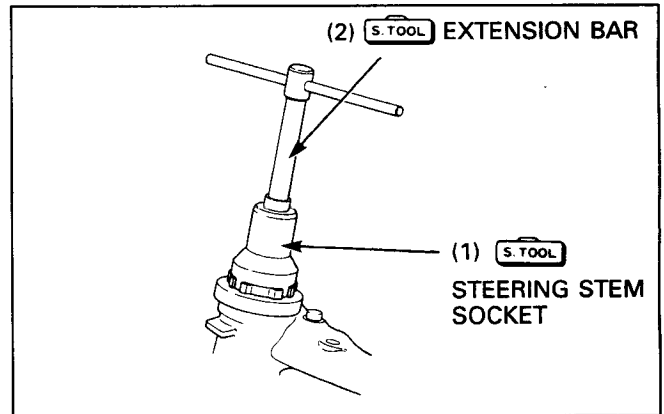


Remove the steering stem adjustment nut.

**S. TOOL**

**Steering stem socket**  
**Extension bar**

**07916-3710101**  
**07716-0020500**



## Bearing Adjustment Nut Installation

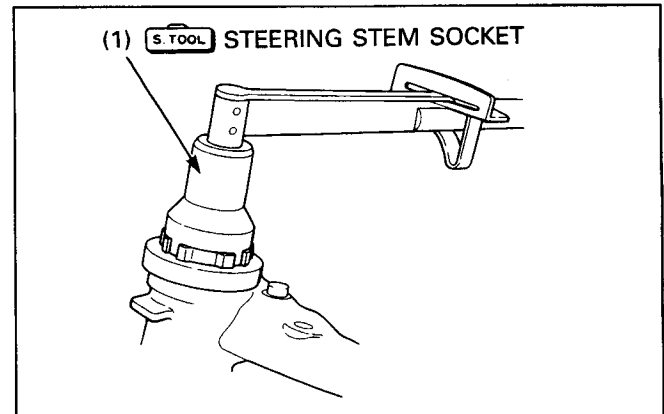
Apply clean engine oil to the bearing adjustment nut threads.  
Install and tighten the adjustment nut to the specified torque.

**S. TOOL**

**Steering stem socket**

**07916-3710101**

**Torque: 25 N·m (2.5 kg-m, 18 ft-lb)**



Turn the steering stem lock to lock at least five times, then retighten the steering adjustment nut to the specified torque.

