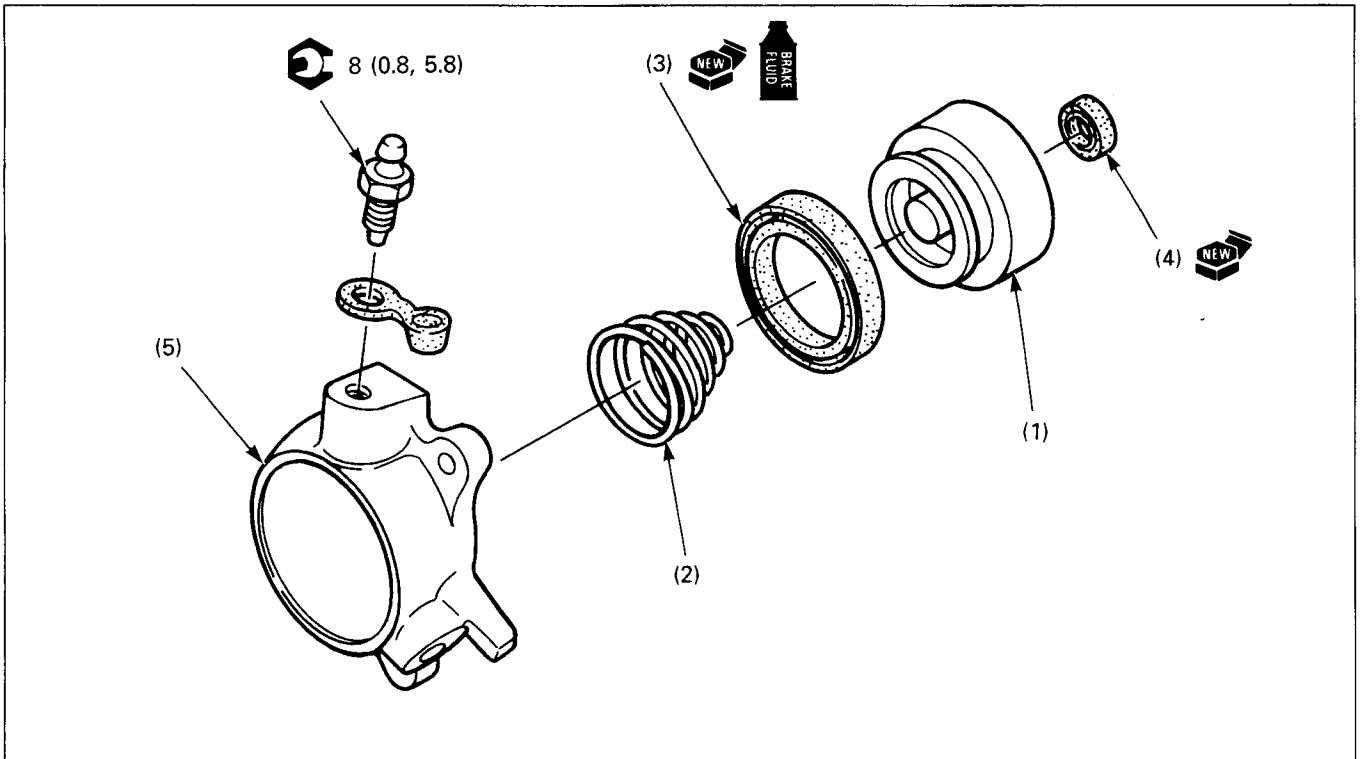


## Clutch Slave Cylinder Disassembly/Assembly



## Requisite Service

- Clutch slave cylinder removal/installation (page 9-2)

Procedure	O'ty	Remarks
<b>Disassembly Order</b>		Assembly is in the reverse order of disassembly.
(1) Slave cylinder piston assembly	1	
(2) Spring	1	
(3) Piston seal	1	At installation, install the piston seal with groove side facing to the slave cylinder body.
(4) Oil seal	1	At installation, install the oil seal with groove side facing to the slave cylinder piston.
(5) Slave cylinder body	1	